

SINGER
12W205

E. O. 503

(540)

Printed in U. S. A.

PRICE LIST OF PARTS



MACHINE No. 12w205

THE SINGER MANUFACTURING COMPANY

INDEX

	Page
Accessories.....	14
Bobbin Winder.....	14
Machine No. 12w205.....	5

From the library of: Diamond Needle Corp

INSTRUCTIONS FOR ORDERING

In ordering from this list, use ONLY the PART number in the FIRST column.

The number stamped on a Sewing Machine Part is the number of the Single Part only, except when the part includes Set Screws, Clamping Screws, Studs and Rollers Spun on, Small Wires riveted, or Parts soldered together, etc., which it is necessary to furnish in combination.

Every combination of parts sent out has its specific number which, although not stamped on Parts (except in above case), must be used when ordering the combination.

Each number always indicates the SAME PART in whatever list it appears, or for whatever Machine.

The letters after some of the numbers indicate the style of finish only, as follows:

- A. Hardened, Polished, Nickel Plated and Buffed.
- B. Polished, Nickel Plated and Buffed.
- C. Hardened only.
- D. Polished only.
- E. Soft, not polished.
- F. Hardened and Polished.
- H. Blued.
- J. Nickel Plated only.
- R. Merlized.
- X. Black Oxide.
- XC. Hardened and Black Oxide.
- Y. Blade Nickel only.

These letters MUST BE USED when they appear in the list and AFTER the number, as in the list.

In this series:

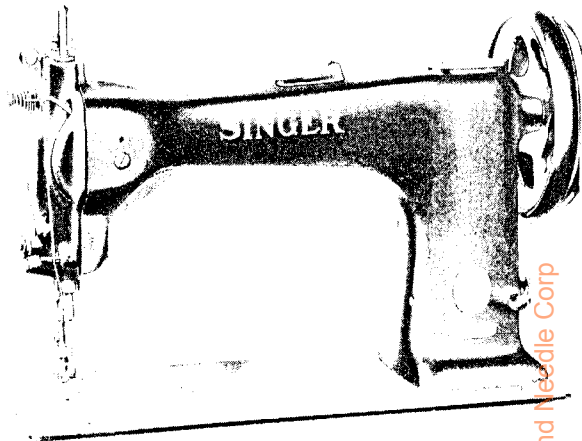
200001 to 201500 and 350001 to 351500 are Screw Numbers.
 201501 to 201800 and 351501 to 351800 are Nut Numbers.
 201801 to 202000 and 351801 to 352000 are Roller Numbers.
 202001 to 350000 are Numbers of Machine Parts.

The figures in the second column refer only to the plate in which the illustration of the part is shown and are NOT TO BE USED in ordering.

Two or more numbers over a cut indicate that the difference between such parts is not visible in an illustration.

Parts marked with an asterisk (*) are furnished when repairs are made at the factory.

LIST OF PARTS COMPLETE FOR



MACHINE No. 12w 205

DROP FEED. ALTERNATING PRESSERS.
 FOR HEAVY CLOTHING, HORSE BLANKETS,
 BUFF WHEELS, ETC.

No.	Plate	Name	Each
*204782	-----	Arm with 200431C, 202036 and 204162.	\$ --
204163	10433	" Cap.....	18
200278H	10434	" " Screw.....	07
202248	10434	" " " Washer.....	02
204235	10435	" Position Pin (2).....	02
200010E	12772	" Screw (3).....	09
202005	10434	" " Washer (3).....	01
204783	12778	" Shaft.....	3 00
204162	10432	" " Bushing (front).....	90
200431C	10437	" " " Position Screw...	11
204706	10431	" " Connection with four 200054E (2).....	1 50
200054E	10434	Arm Shaft Connection Screw.....	04
204707	12716	Balance Wheel with 200328C and 200335C.....	2 65
200062H	10434	Balance Wheel Adjusting Screw.....	11
213734	12703	" " Friction Washer.....	02

From the library of Diamond Needle Corp

No.	Plate	Name	Each
200328C	10434	Balance Wheel Position Screw.....	\$ 06
204708	12716	" " Pulley (loose) (belt groove 5 7/8 in. diam.).....	1 15
200041E	12703	Balance Wheel Pulley Position Screw (making it tight pulley).....	07
204341	10434	Balance Wheel Pulley Spring Washer.	05
200335C	10434	" " Set Screw.....	06
201569B	10434	" " Thumb Nut with 200609F	50
200609F	12772	" " " " Stop Screw..	04
202016	10434	" " " " Washer.	05
204709	-----	Balance Wheel (to make Machine loose or tight pulley) complete, Nos. 200041E, 201569B, 202016, 204341, 204707 and 204708.....	4 50
*215764	-----	Bed with 203376, 204245, 204393 and two 200516E.....	--
202258	12153	Bed Hinge Connection (2).....	12
200570E	10434	" " " Screw (4).....	07
206105	12712	" Slide (back).....	50
204739	10433	" " (front).....	30
204178	10442	Bobbin.....	07
208382	-----	" Case (solid center bearing) with 204181.....	90
204181	10442	Bobbin Case Position Finger.....	01
204531	12705	" " Tension Spring.....	18
200598C	10442	" " " " Adjusting Screw.....	02
200592C	10442	Bobbin Case Tension Spring Screw...	02
208383	12705	Bobbin Case complete, Nos. 200592C, 200598C, 204531 and 208382.....	1 15
207827	-----	Face Plate with 200355H, 200366H, 202087, 202090, 204185, 204281, 204730 and three 200397H.....	1 80
200053C	10435	Face Plate Screw.....	06
204185	10435	" " Thread Guide.....	05
200397H	12309	" " " " Set Screw..	02
207828	12774	Face Plate complete, Nos. 200577H, 204059, 204731, 204795, 207826, 207827, 221223 and two 200309E.	4 15
204187	10435	Feed Bar with 204189.....	70
204423	-----	" " 204187 with 200214E, 201525E and 204200.....	1 50
200214E	10435	Feed Bar Hinge Screw.....	17
201525E	10435	" " " " Nut.....	04
204188	10435	" " Spring.....	05
204189	10435	" " " Hook.....	01
207626	10621	" Dog.....	1 15
200106E	10435	" " Screw (2).....	02
204285	10495	" Driving Cam with 200382C and 200437C.....	1 15

No.	Plate	Name	Each
204192	10436	Feed Driving Cam Fork Lever with 204195 and 204293.....	\$1 25
204193	10432	Feed Driving Cam Fork Lever Connection with 200668C and 201525E..	55
204194	10438	Feed Driving Cam Fork Lever Connection Clamp with 200031F.....	65
200031F	10438	Feed Driving Cam Fork Lever Connection Clamp Pinch Screw.....	06
200668C	10438	Feed Driving Cam Fork Lever Connection Clamp Screw Stud.....	09
201525E	10435	Feed Driving Cam Fork Lever Connection Clamp Screw Stud Nut.....	04
200002E	10436	Feed Driving Cam Fork Lever Connection Hinge Screw.....	11
201522E	10436	Feed Driving Cam Fork Lever Connection Hinge Screw Nut.....	04
*204195	-----	Feed Driving Cam Fork Lever Shaft..	25
204197	10436	" " " " " " " " Collar with 200113F.....	25
200113F	10436	Feed Driving Cam Fork Lever Shaft Collar Set Screw.....	04
204293	10436	Feed Driving Cam Fork Lever Shaft Position Pin.....	01
204196	10436	Feed Driving Cam Fork Lever Shaft Sleeve (split).....	35
200043C	10436	Feed Driving Cam Fork Lever Shaft Sleeve Set Screw.....	06
201524E	10436	Feed Driving Cam Fork Lever Shaft Sleeve Set Screw Nut.....	04
204198	10433	Feed Driving Cam Fork Lever complete, Nos. 204192 and 204194..	00
200437C	10436	Feed Driving Cam Position Screw....	09
200382C	12772	" " " Set Screw.....	02
204294	10431	" " Rock Shaft.....	55
206555	-----	" " " " 204294 with 200002E, 201522E and 204193....	1 20
202305	10436	Feed Driving Rock Shaft Center (2).	10
200043C	10436	" " " " " Set Screw (2).....	06
204200	10435	Feed Driving Rock Shaft Crank with 204189 (on left side) and two 200383C.....	55
200383C	10435	Feed Driving Rock Shaft Crank Set Screw.....	02
204201	10437	Feed Lifting Cam Crank with 200335C, 200431C, 200669C and 201530E... 1	50
200431C	10437	Feed Lifting Cam Crank Position Screw.....	11
200335C	10434	Feed Lifting Cam Crank Set Screw...	06
204202	10437	" " " Fork with 200027E.	1 15

No.	Plate	Name	Each
200027E	10437	Feed Lifting Cam Fork Pinch Screw..\$	06
204203	10431	" " Rock Shaft with 204264	35
204502	-----	" " " " 204203 with 204205.....	80
202305	10436	Feed Lifting Rock Shaft Center (2).	10
200043C	10436	" " " " " Set Screw (2).....	06
204204	-----	Feed Lifting Rock Shaft Slide Block	25
204205	10437	" " " " " " 204204 with 200248F and 201531E	35
200248F	10437	Feed Lifting Rock Shaft Slide Block Hinge Screw.....	09
201531E	10437	Feed Lifting Rock Shaft Slide Block Hinge Screw Nut.....	04
204264	10445	Feed Lifting Rock Shaft Slide Block Position Pin.....	01
204206	10432	Feed Regulating Handle.....	18
204288	-----	" " " " 204206 with 200098F, 202622, 204208, 204209, 204213, 204289 and 204925.....	85
204208	12771	Feed Regulating Handle Adjustable Stop.....	07
200098F	10438	Feed Regulating Handle Adjustable Stop Screw.....	04
204925	12703	Feed Regulating Handle Adjustable Stop Screw Washer.....	01
204209	10438	Feed Regulating Handle Position Pin	01
204289	12704	" " " " Shaft.....	30
204211	10438	" " " " Crank with 200098F.....	30
204212	10438	Feed Regulating Handle Shaft Crank Link.....	25
200271E	10438	Feed Regulating Handle Shaft Crank Link Hinge Screw (lower).....	07
200291E	10438	Feed Regulating Handle Shaft Crank Link Hinge Screw (upper).....	07
200098F	10438	Feed Regulating Handle Shaft Crank Set Screw.....	04
204213	10438	Feed Regulating Handle Shaft Sleeve (split).....	25
200362C	10441	Feed Regulating Handle Shaft Sleeve Set Screw.....	04
202622	10438	Feed Regulating Handle Shaft Sleeve Washer.....	01
202036	10438	Feed Regulating Handle Stop Pin....	01
204298	-----	Feed Regulating Handle complete, Nos. 200291E, 204211, 204212 and 204288.....	1 45
204216	12771	Hook (sewing) with 204217.....	2 30
204217	12726	" Bobbin Case Stud.....	18

No.	Plate	Name	Each
204218	10446	Hook Bracket with 200379C and three 204234.....	\$ 95
204219	10448	Hook Bracket 204218 with 204226....	1 55
207820	-----	" " 204219 with 204224, 204225, 204229, 204539, two each 204223 and 204231.....	3 00
200379C	10446	Hook Bracket Adjusting Screw (low- er).....	02
200334C	12703	Hook Bracket Adjusting Screw (upper).....	06
204539	12704	Hook Bracket Bobbin Case Stop (hinged).....	60
204223	10448	Hook Bracket Bobbin Case Stop Hinge Pin.....	01
204224	10446	Hook Bracket Bobbin Case Stop Latch	30
204223	10448	" " " " " " Hinge Pin.....	01
204225	14407	Hook Bracket Bobbin Case Stop Latch Spring.....	02
200562C	10446	Hook Bracket Screw (lower).....	07
200564C	10446	" " " (upper).....	07
207821	-----	Hook Bracket complete, Nos. 204216 and 207820.....	5 30
204239	12771	Hook Driver with 204242 and 204243	2 40
204393	12704	" " Bushing.....	80
208246	12771	" " Crank.....	60
204240	12726	" " " 208246 with 200378C, 200662C, 201530E and two 200346C.....	90
204241	10437	Hook Driver Crank Link.....	35
200669C	10448	" " " " Stud.....	09
201530E	10448	" " " " " Nut....	06
200346C	10448	" " " " Set Screw (long)	04
200378C	10436	" " " " " (short)	02
200662C	10448	" " " " Stud.....	11
201530E	10448	" " " " " Nut.....	06
204243	12726	" " Pin.....	01
204242	12726	" " Washer.....	01
204295	10570	" Driving Shaft.....	2 65
204245	10432	" " " Bearing.....	60
202126	10434	" " " " Position Pin.....	01
200516E	10434	Hook Driving Shaft Bearing Screw...	11
204246	10434	" " " Collar with two 200383C.....	30
200383C	10435	Hook Driving Shaft Collar Set Screw	02
204226	10447	" Race, .156 in. thick, 1.906 in. diameter.....	60
204229	10446	Hook Race Cap (iron).....	35
204230	10446	" " " Spring.....	02

From the library of: Diamond Needle Corp

No.	Plate	Name	Each
204231	10446	Hook Race Cap Spring 204230 with 200792E.....\$	18
200792E	10446	Hook Race Cap Spring Screw.....	17
204234	10446	" " Position Pin.....	01
207846	12778	Knee Lifter Connection Lever with 202446.....	35
207847	-----	Knee Lifter Connection Lever 207846 with 200224H, 200262H, 207849 and 227310.....	1 20
200224H	12772	Knee Lifter Connection Lever Hinge Screw.....	17
227310	12778	Knee Lifter Connection Lever Lift- ing Rod with 202302.....	12
202302	12771	Knee Lifter Connection Lever Lift- ing Rod Cotter Pin.....	01
202446	12703	Knee Lifter Connection Lever Pin...	05
207849	12778	" " Lifting Lever.....	35
200262H	12703	" " " " Hinge Screw	17
204786	10486	Lifting Lever with 200122H and 204189.....	1 50
208468	-----	Lifting Lever 204786 with 200935F, 201534E, 204789 and 204796.....	3 60
204790	10486	Lifting Lever Stud Lifting Bracket with 200086C and 200181D.....	90
208469	-----	Lifting Lever Stud Lifting Bracket 204790 with 208468.....	4 50
200086C	10441	Lifting Lever Stud Lifting Bracket Pinch Screw.....	04
204788	12776	Lifting Lever Driving Crank.....	1 20
204789	10486	" " " " Link...	80
200122H	12776	" " " " " "	04
200400C	10495	Lifting Lever Driving Crank Posi- tion Screw.....	06
200387C	10470	Lifting Lever Driving Crank Posi- tion Screw Set Screw.....	02
204479	12772	Lifting Lever Driving Crank Posi- tion Screw Set Screw Packing (brass).....	01
200181D	12776	Lifting Lever Stop Screw.....	04
204613	12708	" Presser Foot.....	3 35
200074F	10441	" " " " Screw.....	04
204716	12773	Needle Bar (hollow) with 200125F, 200175D and 204250.....	1 50
231437	12776	Needle Bar Connecting Link.....	95
200186C	-----	" " " " Pinch Screw.....	02
204249	10442	Needle Bar Connecting Stud with 200072C and 202277.....	60
202277	-----	Needle Bar Connecting Stud Oil Packing (wick).....	01

No.	Plate	Name	Each
200072C	10442	Needle Bar Connecting Stud Pinch Screw.....\$	04
204326	-----	Needle Bar Packing Cord (2) Per 100.....	35
200504E	10442	Needle Bar Screw Bushing (lower)...	07
200503B	10442	" " " " (upper)...	07
204250	10442	" " Thread Guide.....	05
200175D	10442	" " " " Set Screw...	02
200125F	10442	" Set Screw.....	02
204718	12773	Presser Bar (hollow) with 200074F..	1 50
204719	10485	" " Lifter.....	60
200550C	10441	" " " " Hinge Screw....	11
202287	12776	" " Lifting Bracket with 200387C.....	60
204720	10485	Presser Bar Lifting Bracket Posi- tion Guide.....	55
200362C	10441	Presser Bar Lifting Bracket Posi- tion Guide Set Screw.....	04
200387C	10470	Presser Bar Lifting Bracket Set Screw.....	02
204327	-----	Presser Bar Packing Washer (felt) Per 100.....	35
200504E	10442	Presser Bar Screw Bushing (lower)...	07
204721	12772	" " Spring.....	25
200491B	10441	" " Thumb Screw (pressure regulating).....	33
201506B	11992	Presser Bar Thumb Screw Check Nut.	09
202068	12153	Spool Holder Base.....	20
200575H	10473	" " " " Screw.....	07
204296	12153	" " Wire.....	18
200079H	12703	" " " " Hinge Screw.....	02
204297	12153	Spool Holder complete, Nos.200079H, 202068 and 204296.....	35
204793	10432	Take-up Cam with 200335C, 200383C, 200387C, 200400C, 200430C, 204479, 204788 and 231437.....	6 35
204794	10486	Take-up Cam Key.....	25
200430C	10445	" " Position Screw.....	11
200383C	10435	" " " " Check Screw.....	02
200335C	10434	Take-up Cam Set Screw.....	06
204262	10445	" Lever.....	90
208372	-----	" " 204262 with 204723...	1 15
204723	10485	" " Bearing with 204264..	25
204264	10445	" " " " Position Pin.	01
200042F	10445	" " " " Screw.....	07
201816	10445	" " Roller.....	17
213816	-----	Take-up Lever complete, Nos.200042F, 201816 and 208372.....	1 40
244007	12771	Tension Disc.....	07

No.	Plate	Name	Each
202090	12309	Tension Disc Position Pin.....	\$ 01
207826	12776	" Release Lever.....	35
222254	-----	" " " Operating Lever	35
200585H	12776	" " " " " "	
		Screw.....	06
200309E	12309	Tension Release Lever Screw.....	06
202075	12309	" " Plunger.....	04
207876	12776	" " Slide.....	55
206608	12771	" " " Spring.....	03
207877	-----	Tension Release Slide complete, Nos. 207876, 222254 and two 200585H.	1 10
225708	12776	Tension Spring.....	18
201375J	12776	" Stud.....	33
200397H	12309	" " Set Screw.....	02
201572B	12309	" Thumb Nut.....	06
204271	12309	" Washer.....	07
221223	-----	Tension complete, Nos. 201375J, 201572B, 202075, 204271, 225708 and two 244007.....	90
204274	12309	Thread Controller Plate.....	18
200577H	10473	" " " Screw.....	02
202098	12309	" " " Roller.....	06
204275	12309	" " " Guard.....	18
202084	12309	" " " Washer	01
200300C	12309	" " " Screw.....	06
204726	10485	" " " Spring.....	07
204333	12309	" " " Guard.....	12
200581H	12309	" " " Screw	02
202087	12776	" " " Stop.....	04
204795	10486	" " " Stud with 204925.....	18
200355H	12319	Thread Controller Spring Stud Set Screw.....	04
204925	12703	Thread Controller Spring Stud Wash- er.....	01
204730	10524	Thread Controller Thread Guard.....	05
200397H	12309	" " " " Set Screw.....	02
205987	12309	Thread Controller complete, Nos. 200300C, 200581H, 202084, 202098, 204274, 204275 and 204333.....	65
204731	12705	Thread Controller and Spring com- plete, Nos. 204726 and 205987..	70
204281	12309	Thread Retainer Guide Wire.....	01
202091	12309	" " Sleeve.....	06
202092	12309	" " Spring.....	01
204058	12309	" " Stud.....	12
200368H	12309	" " " Set Screw.....	02
204059	12309	Thread Retainer complete, Nos. 202091, 202092 and 204058.....	25

No.	Plate	Name	Each
207329	10621	Throat Plate, 40 elongated needle hole, for needle sizes 23 and 24.....	\$1 50
203376	12771	Throat Plate Position Pin.....	01
200577H	10473	" " Screw.....	02
204796	10486	Vibrating Presser Bar with 206108..	1 20
200935F	11992	" " " Hinge Screw..	11
201534E	10463	" " " " " "	
		Nut.....	04
204797	10486	Vibrating Presser Bar Spring (spiral).....	02
206108	12703	Vibrating Presser Bar Spring Hook..	02
204636	12708	" " Foot.....	2 65
200098F	10438	" " " Screw.....	04
228026	12776	" " " " Washer	01

Genuine Singer Needles should be used
in Singer Machines.
These Needles and their Containers
are marked with the
Company's Trade Mark "SIMANCO." 1

Needles in Containers marked
"For Singer Machines"
are not Singer made needles. 2

ACCESSORIES

No.	Plate	Name	Each
204178	10442	Bobbin (5).....	\$ 07
*225482	-----	" Case Screw Driver Blade.....	--
*225483	-----	" " " " Handle.....	--
225497	12153	Bobbin Case Screw Driver complete, Nos. 225482 and 225483.....	18
228213	-----	Drip Pan with four 1 in. wire nails	50
129 x 1	-----	Needles, six, size 22.....	--
41400	12153	Machine Rest Pin (wood).....	05
120342	12153	Oiler (copper plated) with 120343..	18
120343	12153	" Spout (3 1/2 in. long).....	10
*225484	-----	Screw Driver Blade.....	--
*225485	-----	" " Handle.....	--
225498	12153	Screw Driver complete (7 1/4 in. long), Nos. 225484 and 225485..	25
225554	12153	Wrench.....	18

BOBBIN WINDER

(SWINGING AUTOMATIC, RIGHT HAND)

No.	Plate	Name	Each
202470	12320	Base.....	25
202471	12320	Frame.....	5
200221D	12319	" Hinge Screw.....	17
202472	12319	" Spring.....	07
200161D	12319	" " Screw.....	08
225368	-----	Fulley with 200380C.....	40
200380C	10476	" Set Screw.....	02
202474	12320	Spindle.....	25
227522	12319	Stop Latch.....	18
200056E	12319	" " Screw.....	04
202477	12319	" " Thumb Lever.....	25
200299H	12319	" " " " Hinge Screw..	07
200299H	12319	" " " " Joint Screw..	07
201537H	10473	" " " " " "	
		Nut.....	04
202478	12319	Stop Latch Trip Lever.....	18
200299H	12319	" " " " Hinge Screw..	07
227523	12320	Bobbin Winder complete, Nos. 200056E, 200161D, 200221D, 201537H, 202470 to 202474, 202477, 202478, 227522, three 200299H and two round head wood screws 3/4 in., No. 12	2 05

No.	Plate	Name	Each
202480	12320	Spool Holder Base with 200355H and 202484.....	\$ 25
202481	12320	Spool Holder Base Spool Pin.....	07
202482	12319	" " Tension Disc (lower or upper).....	02
200011D	12319	Spool Holder Tension Disc Screw....	07
200355H	12319	" " " " " Set Screw.....	04
202483	12319	Spool Holder Tension Disc Spring (brass).....	01
202484	12319	Spool Holder Tension Disc Thread Guide.....	01
202485	12320	Bobbin Winder Spool Holder complete, Nos. 200011D, 202480, 202481, 202483, two 202482 and one wood screw 1 in., No. 13.....	55
227524	-----	Bobbin Winder and Spool Holder com- plete, Nos. 202485 and 227523..	2 50

Genuine Singer Needles should be used
in Singer Machines.
These Needles and their Containers
are marked with the
Company's Trade Mark "SIMANCO." 1

Needles in Containers marked
"For Singer Machines"
are not Singer made needles. 2

From the library of: Diamond Needle Corp

ILLUSTRATIONS
OF
PARTS

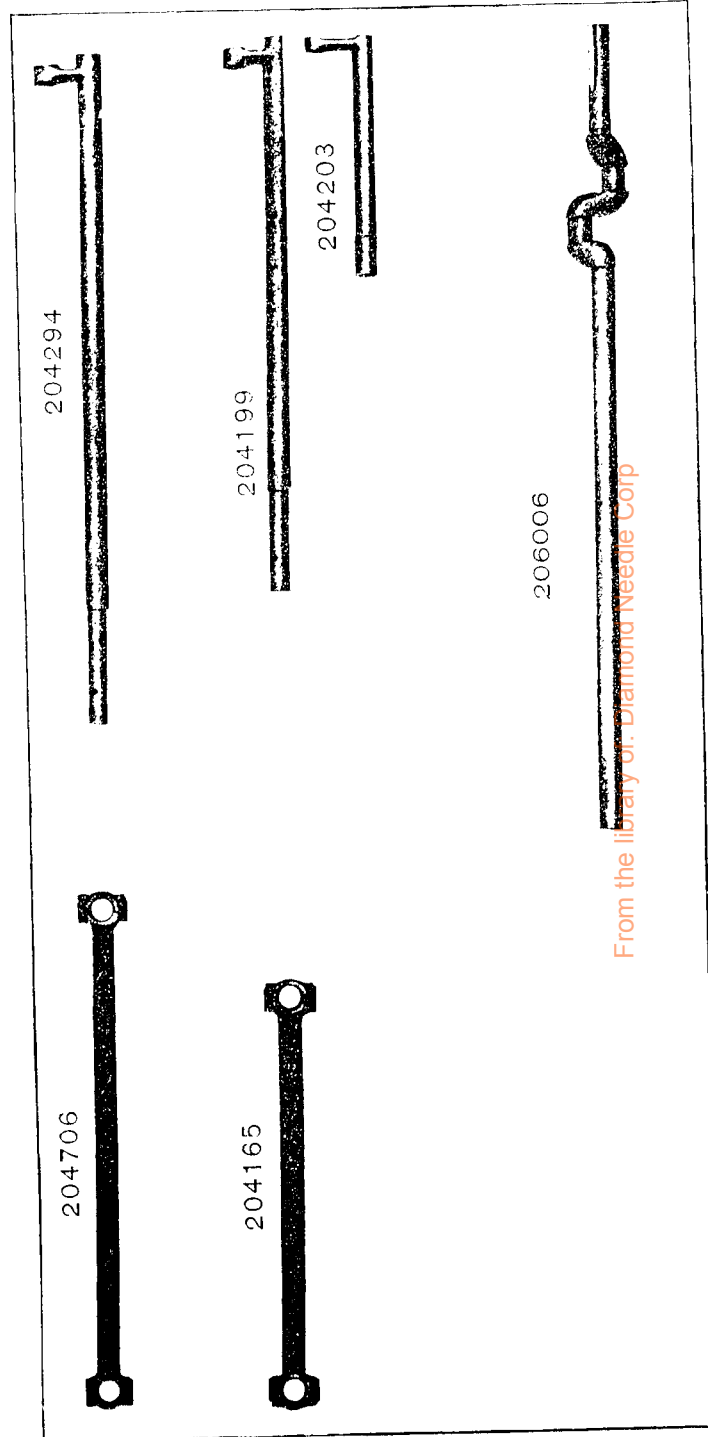


PLATE 10432—ONE-HALF SIZE

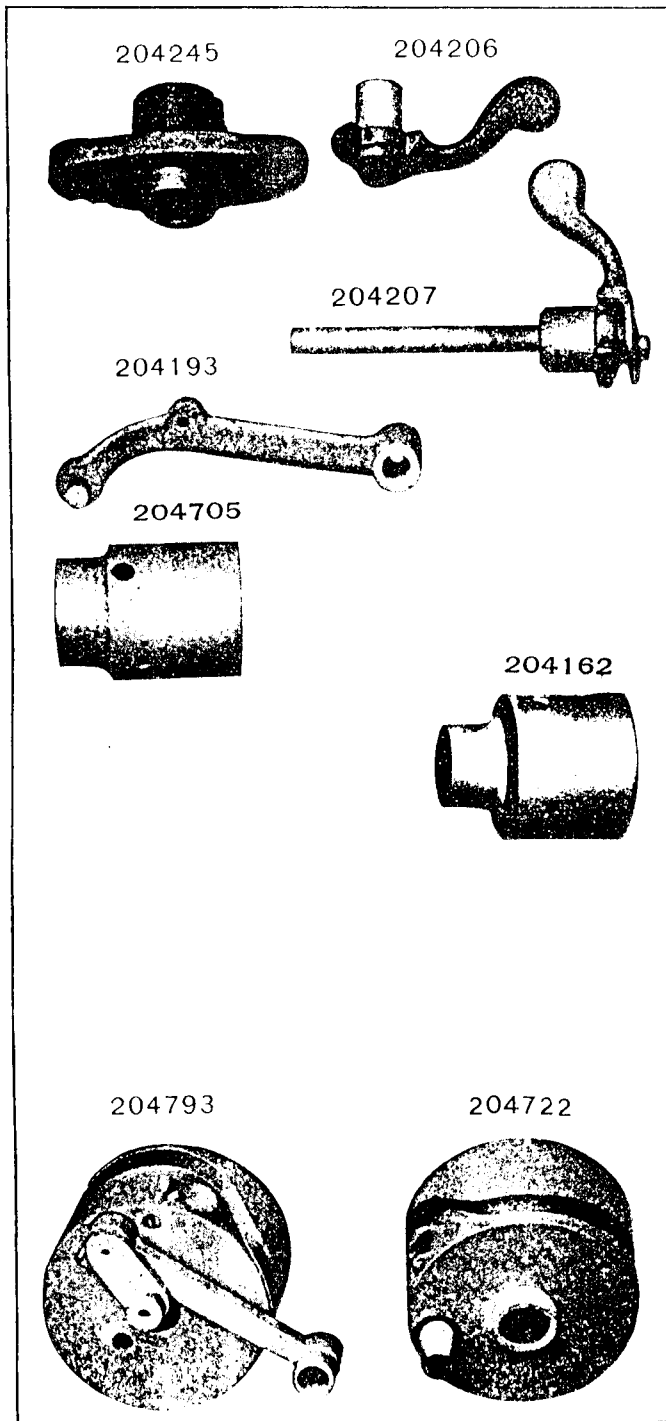


PLATE 10433—ONE-HALF SIZE

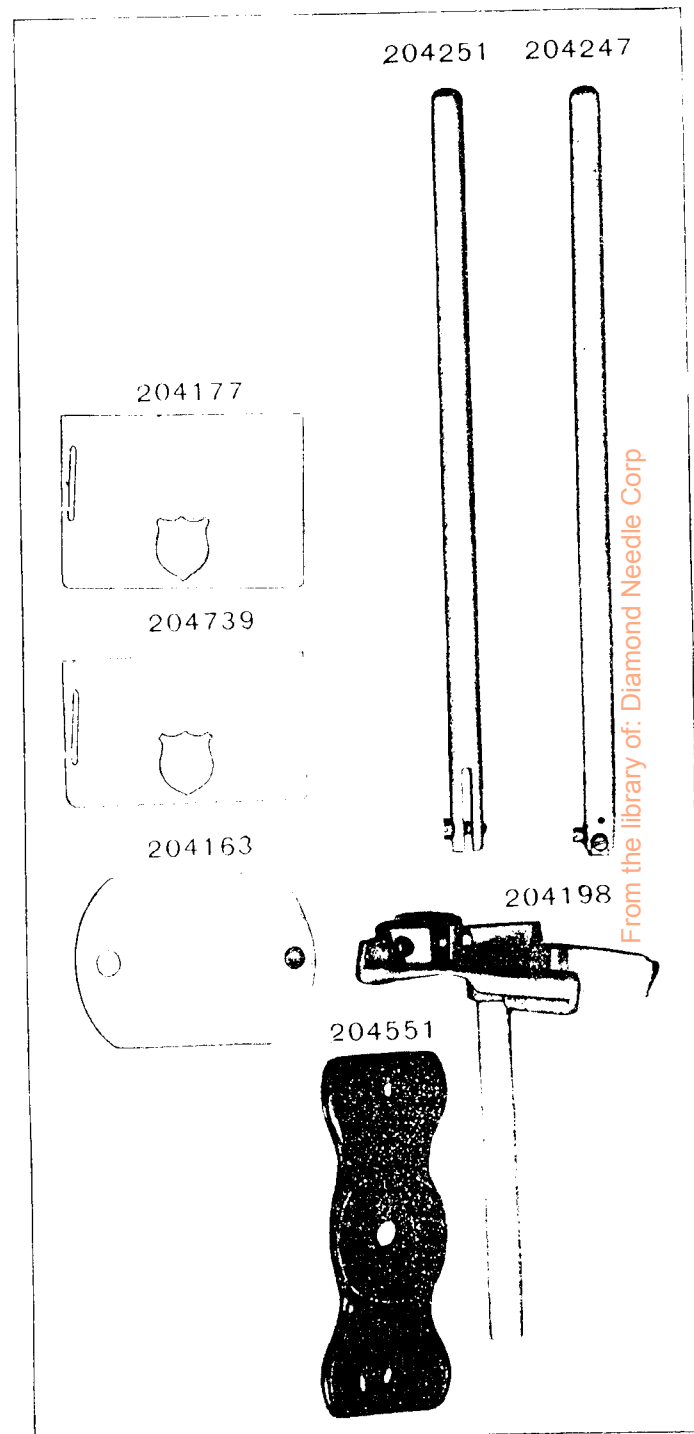


PLATE 10434—FULL SIZE

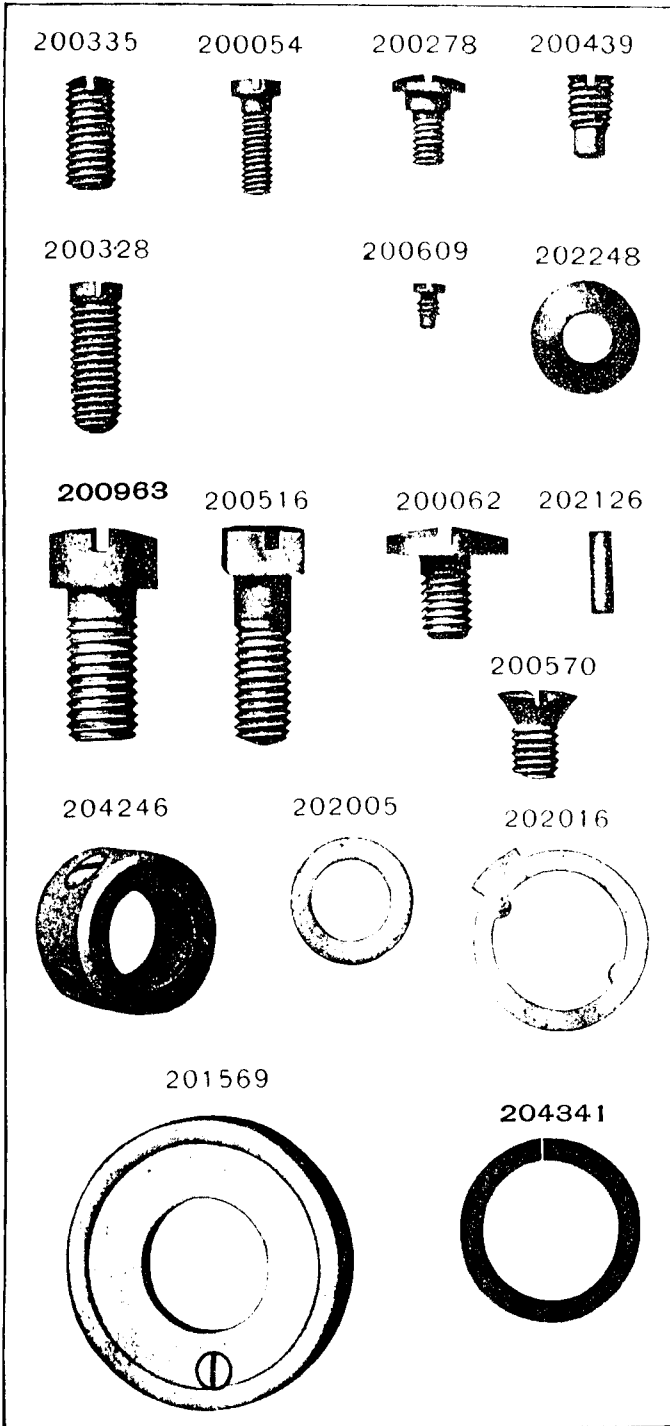


PLATE 10436—FULL SIZE

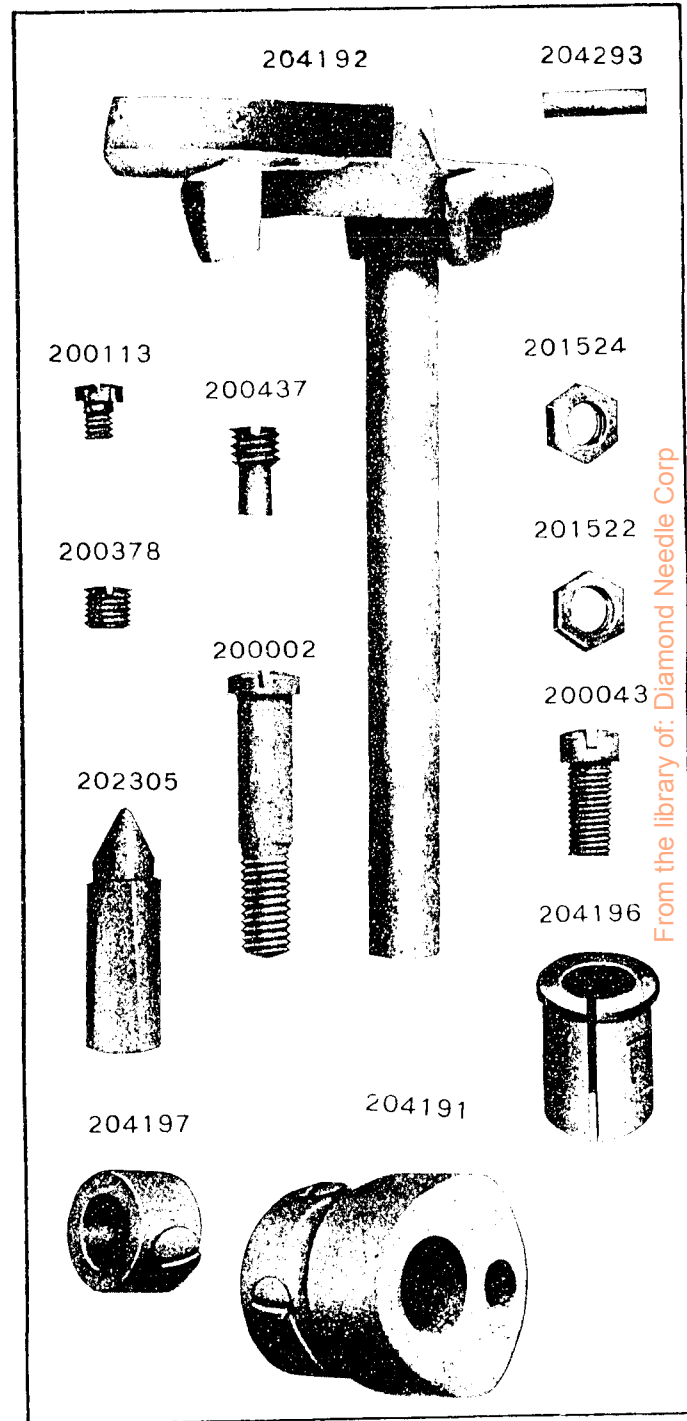


PLATE 10435—FULL SIZE

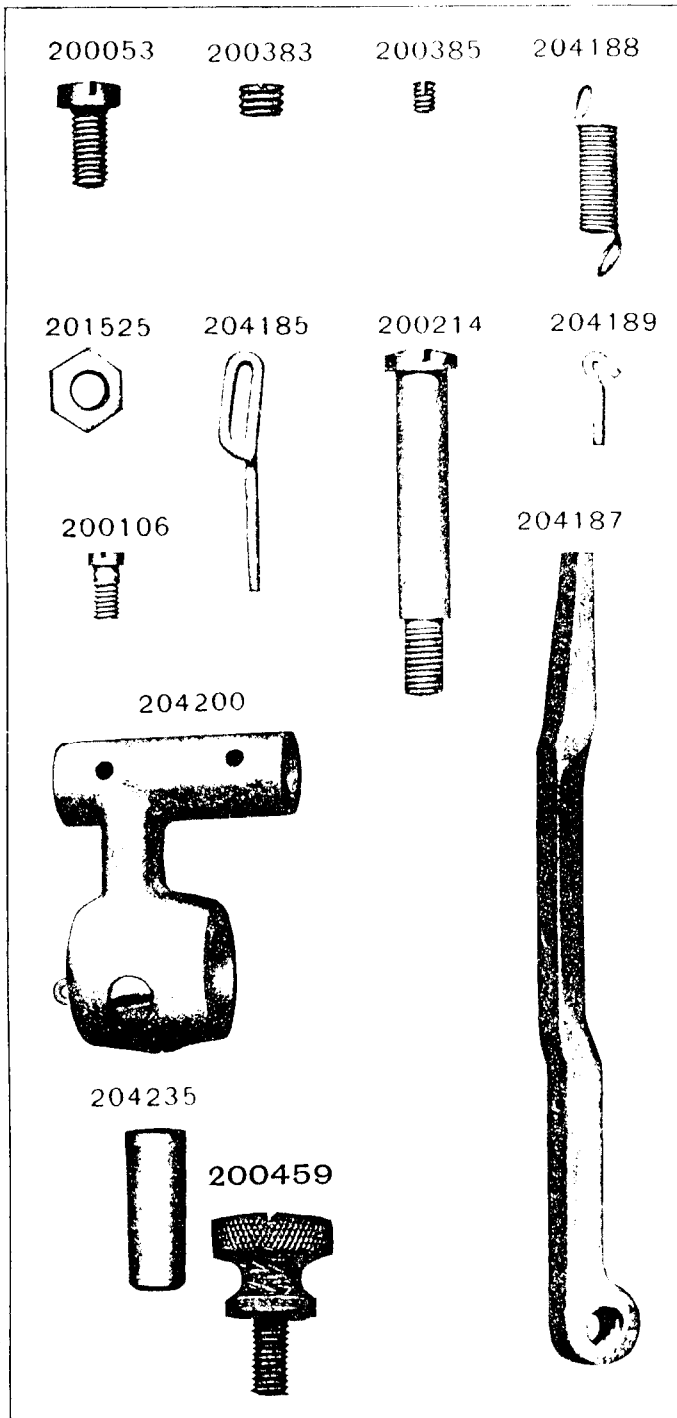
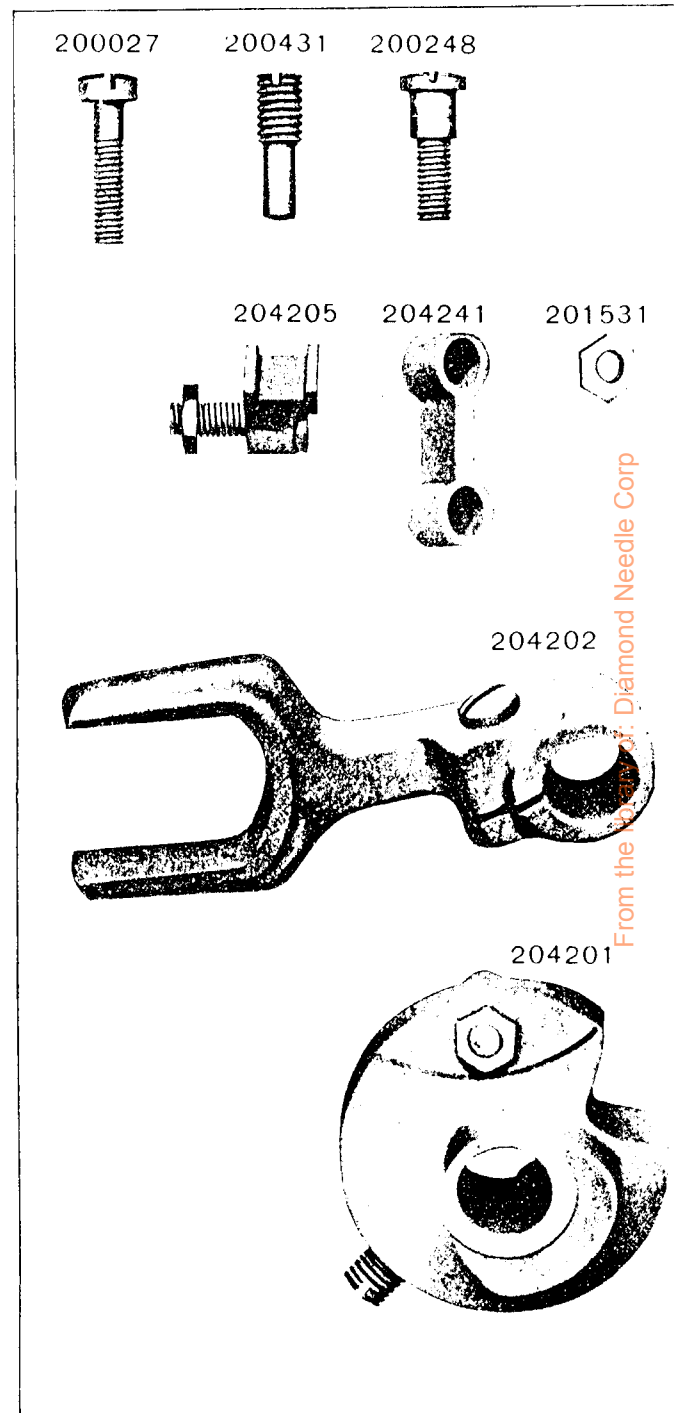


PLATE 10437—FULL SIZE



From the [K&S](#) by Diamond Needle Corp

PLATE 10438—FULL SIZE

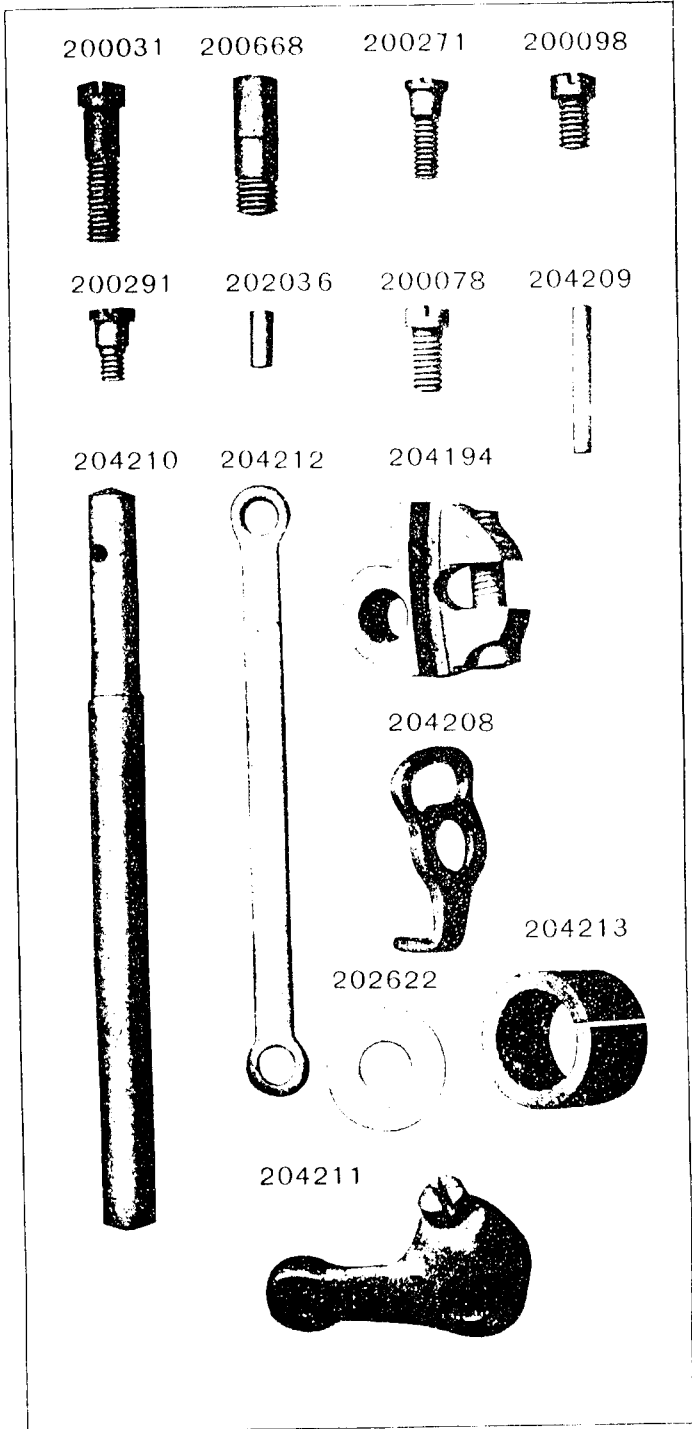
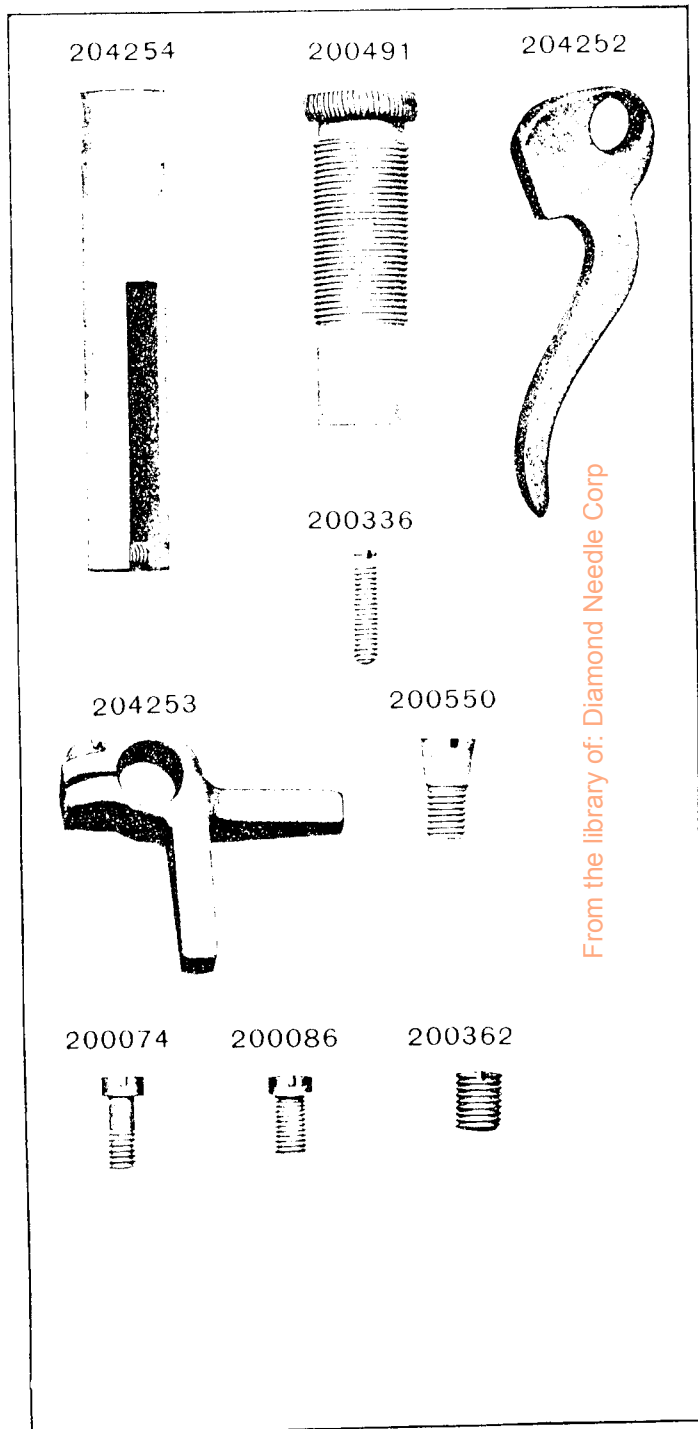


PLATE 10441—FULL SIZE



From the library of: Diamond Needle Corp

PLATE 10442—FULL SIZE

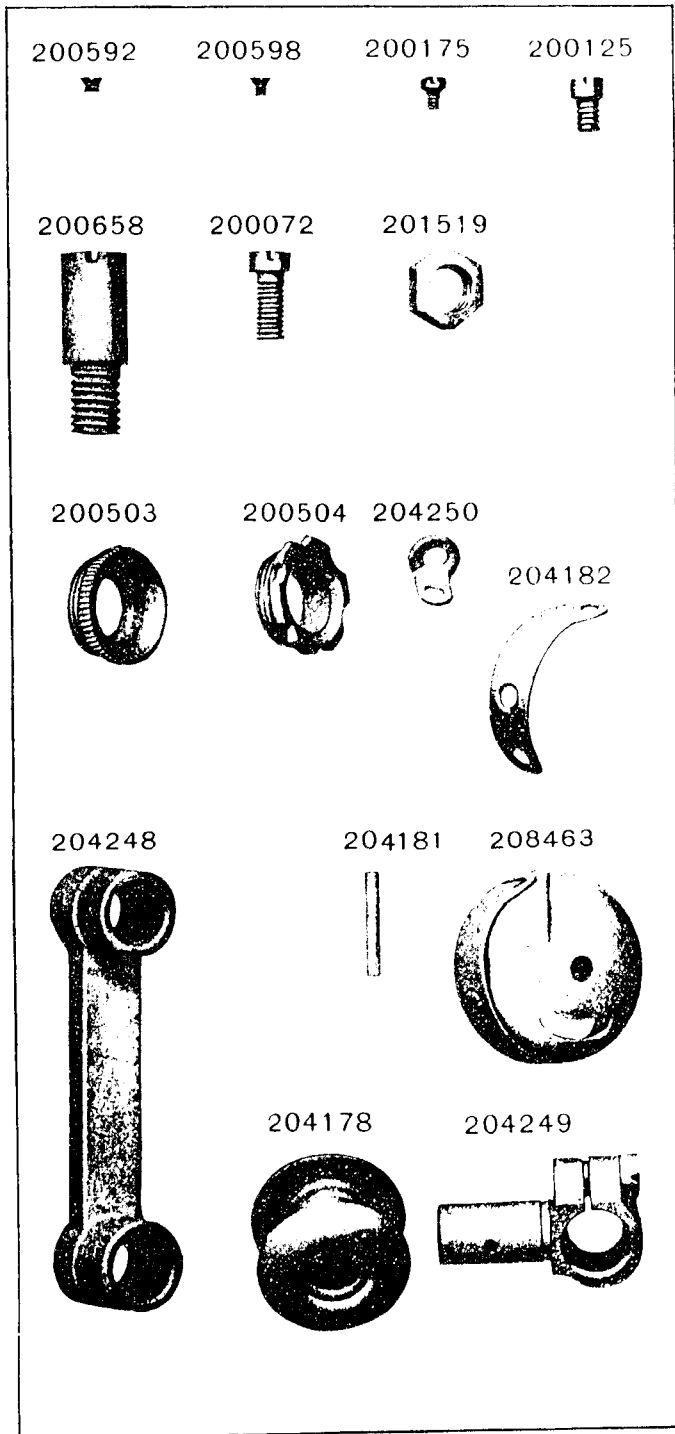


PLATE 10445—FULL SIZE

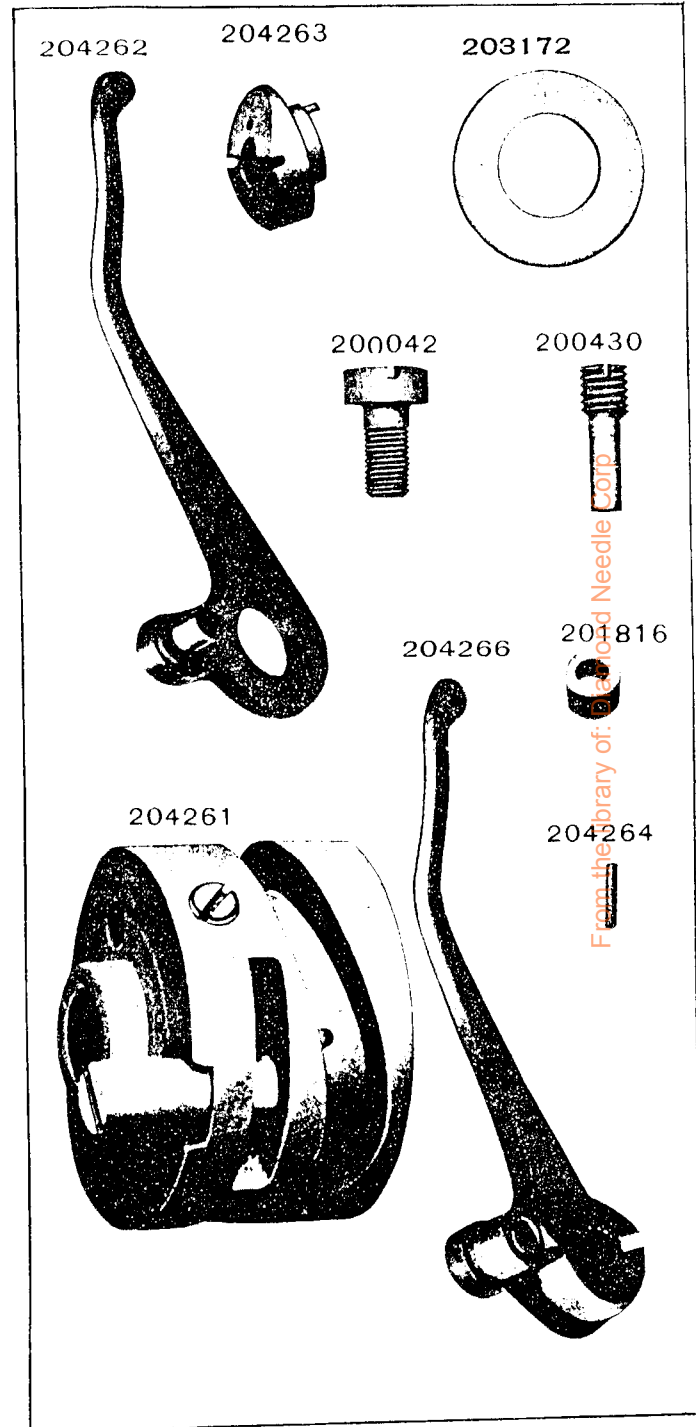


PLATE 10446—FULL SIZE

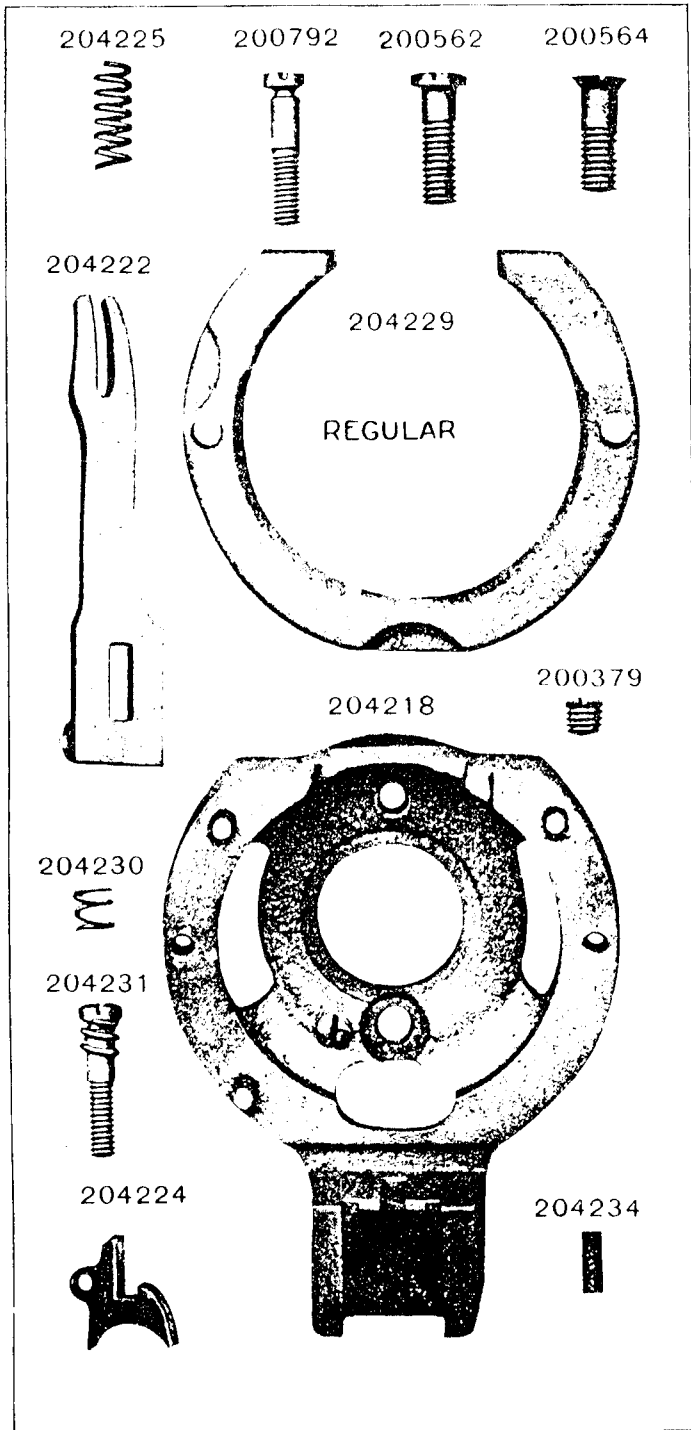
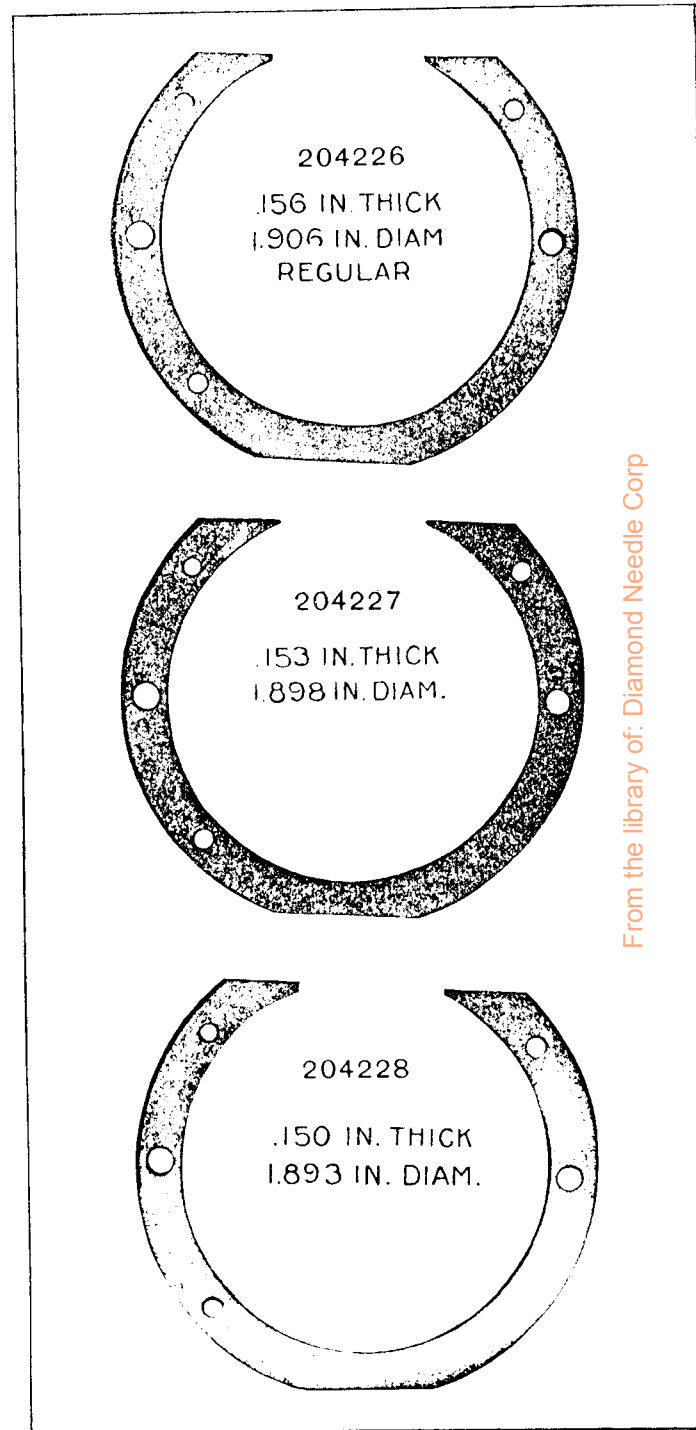


PLATE 10447—FULL SIZE



From the library of: Diamond Needle Corp

PLATE 10448—FULL SIZE

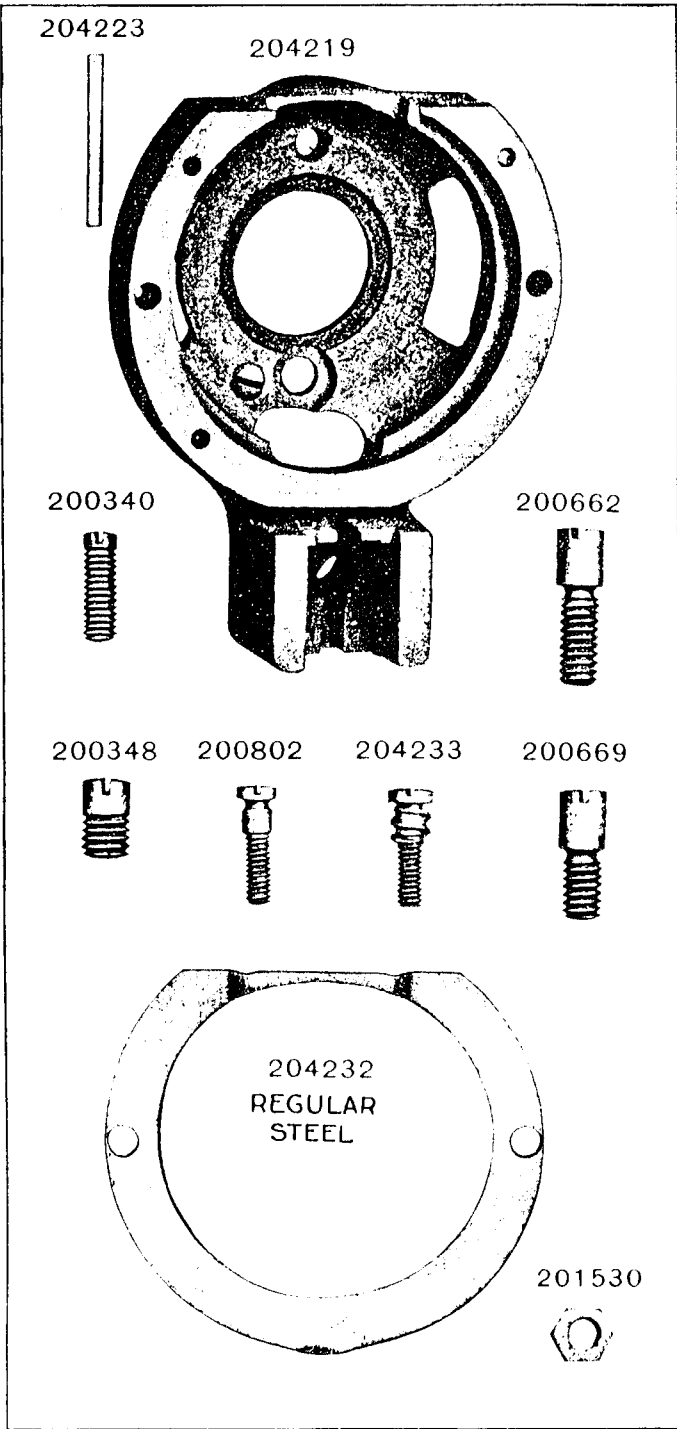


PLATE 10463—FULL SIZE

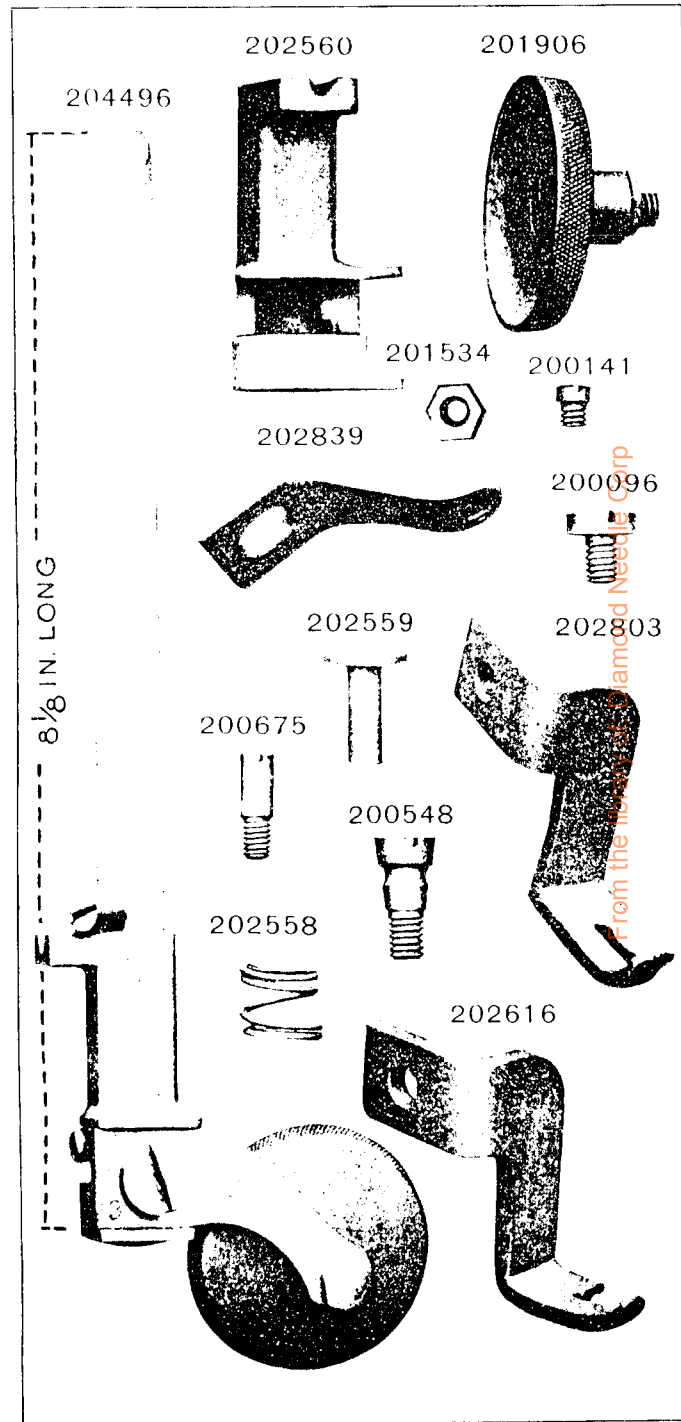


PLATE 10470—FULL SIZE

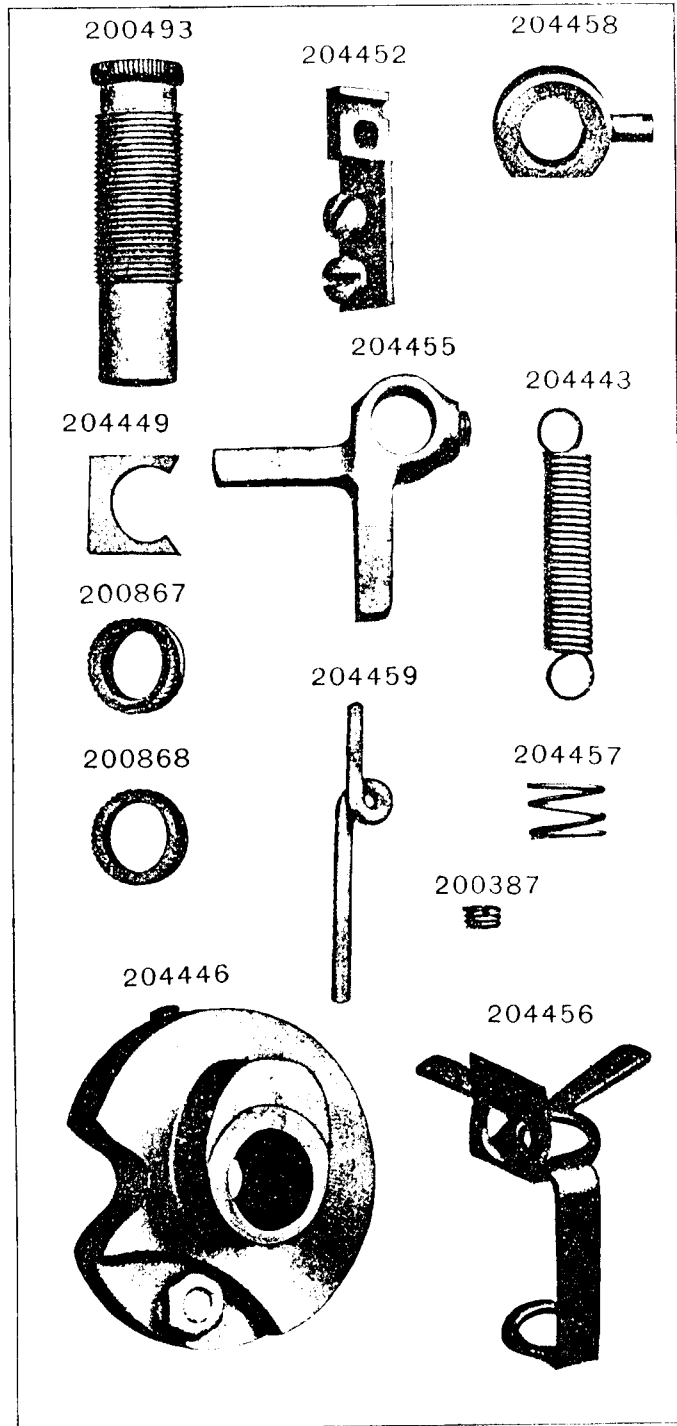
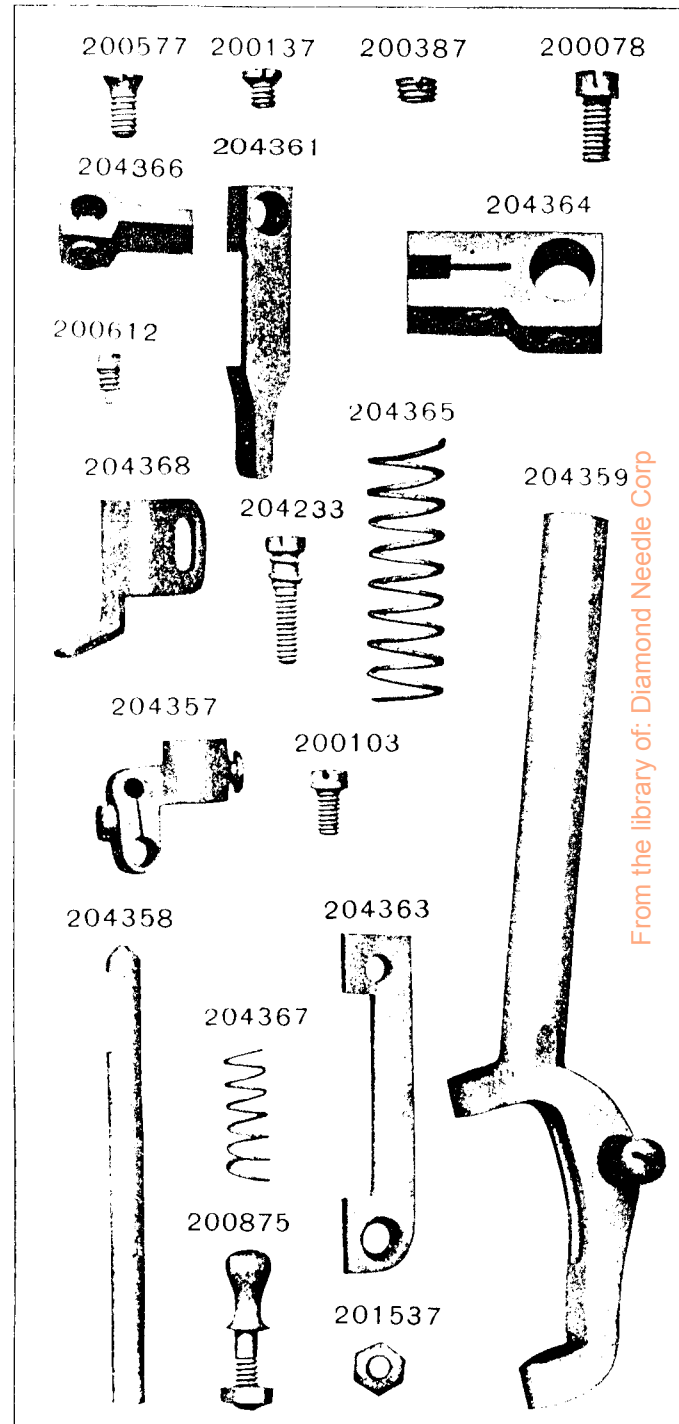


PLATE 10473—FULL SIZE



From the library of: Diamond Needle Corp

PLATE 10476—FULL SIZE

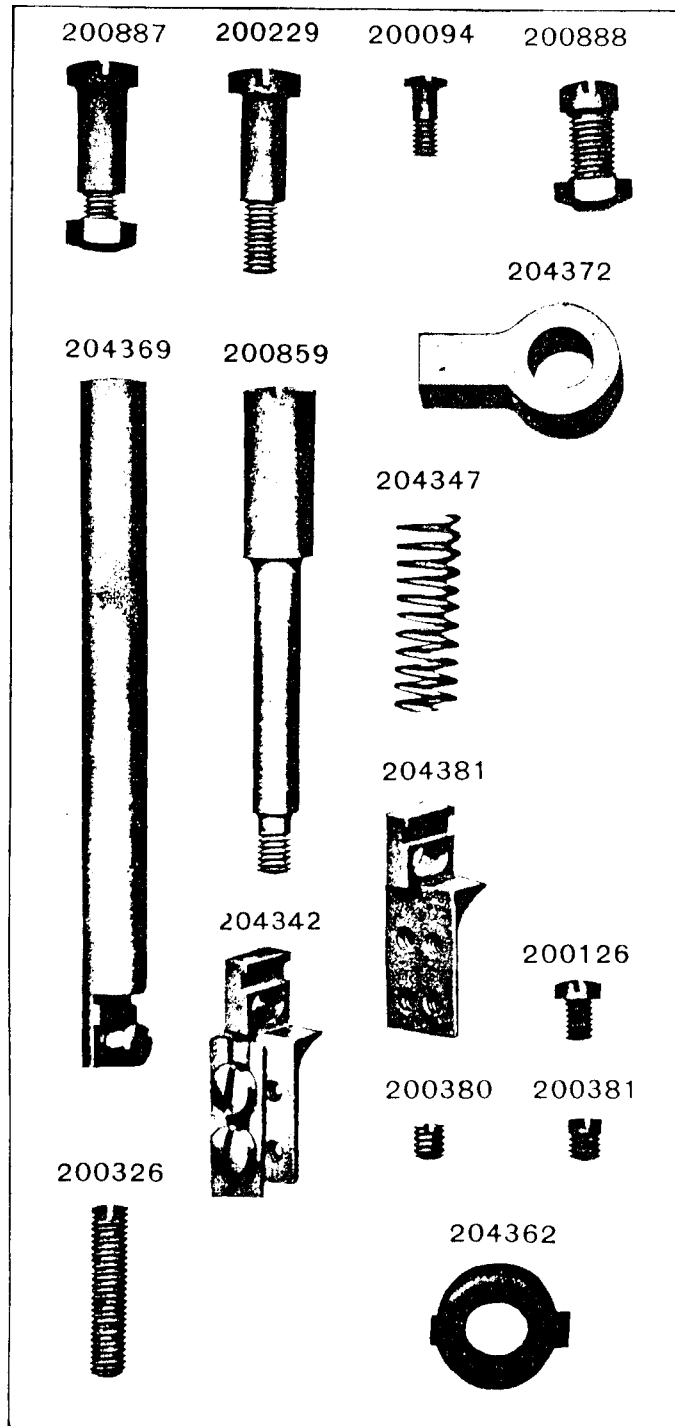
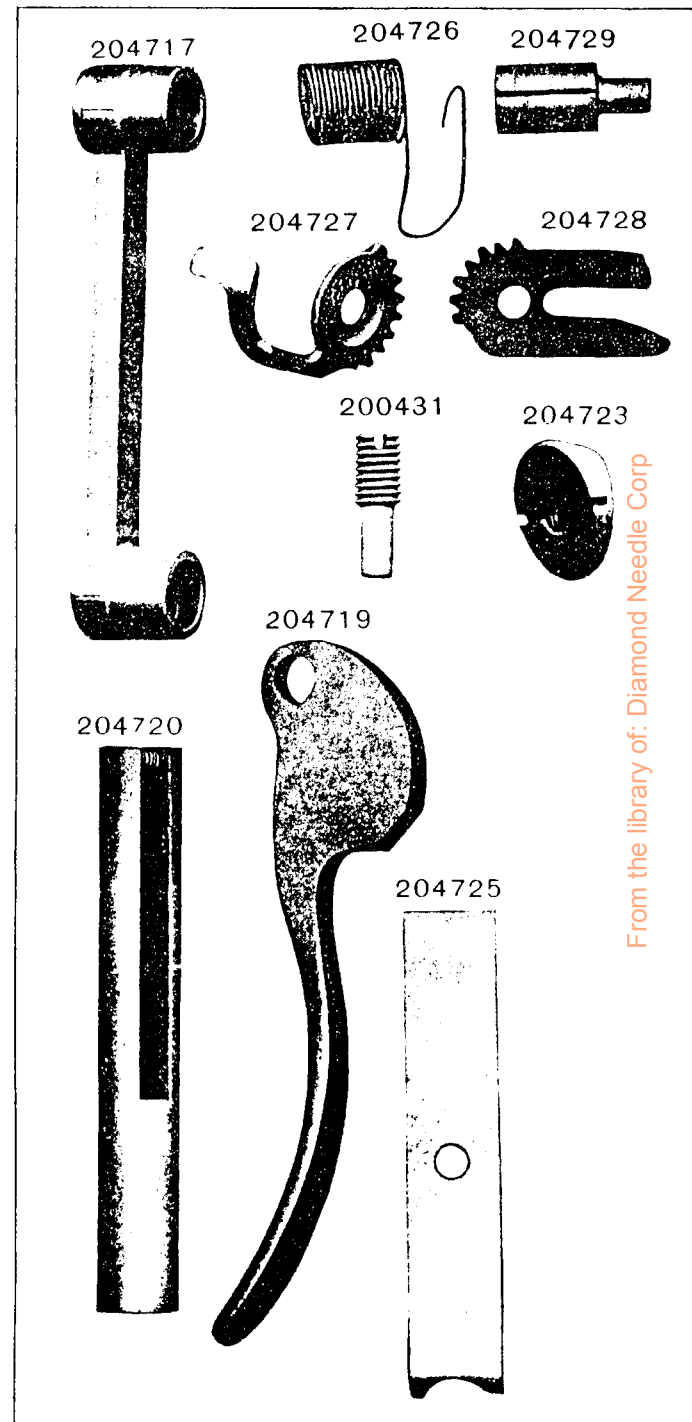


PLATE 10485—FULL SIZE



From the library of: Diamond Needle Corp

PLATE 10486--FULL SIZE

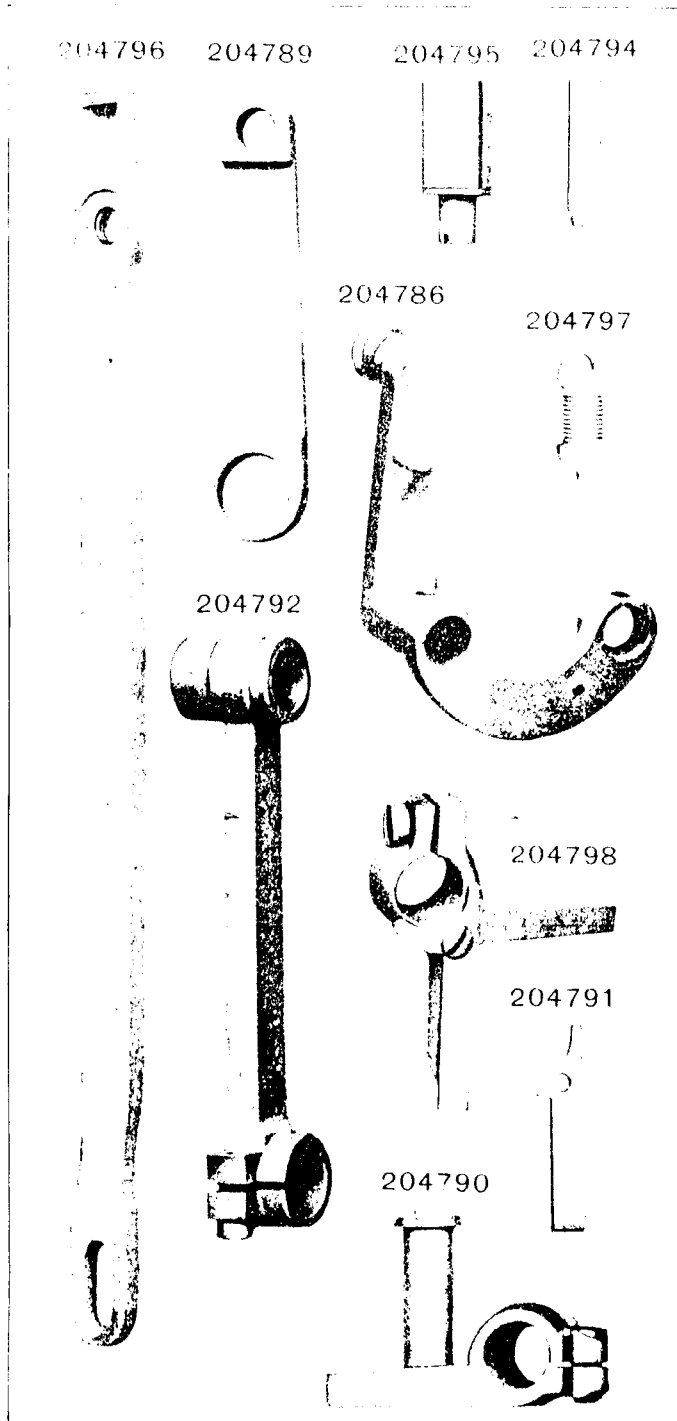
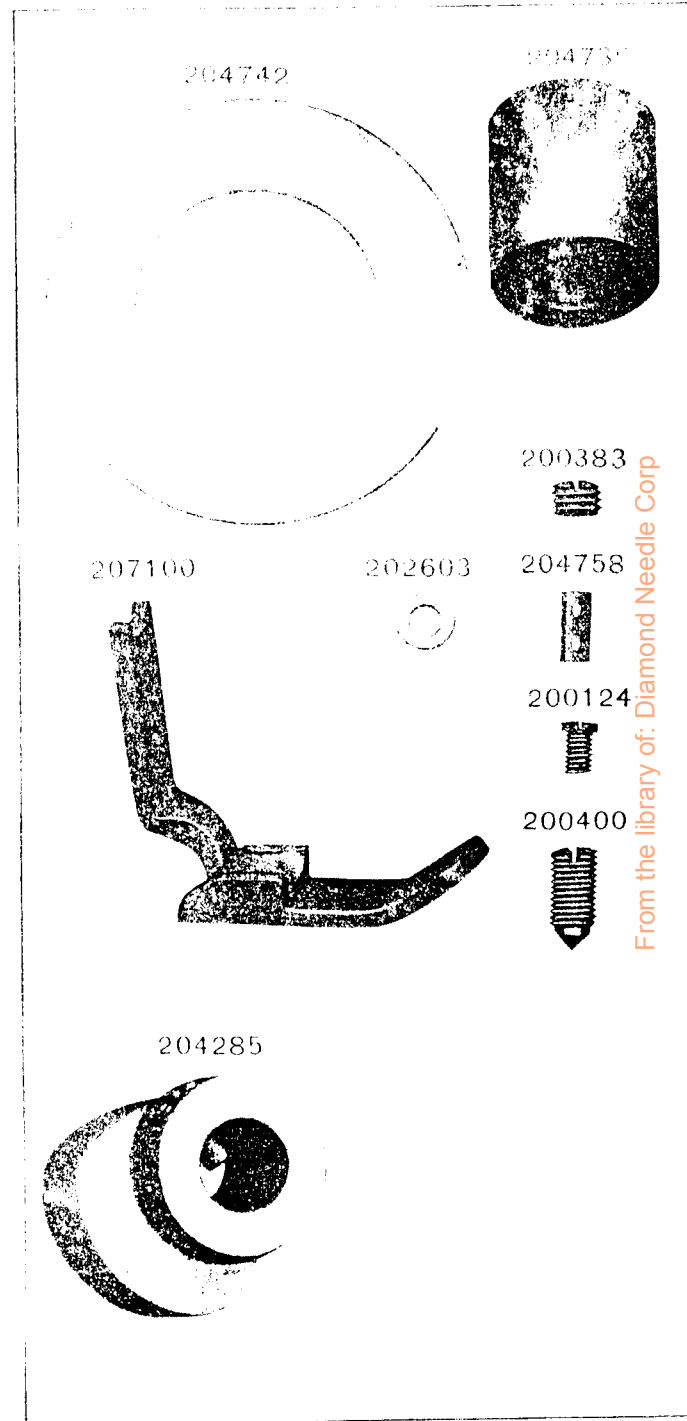


PLATE 10495--FULL SIZE



From the library of: Diamond Needle Corp

PLATE 10524—FULL SIZE

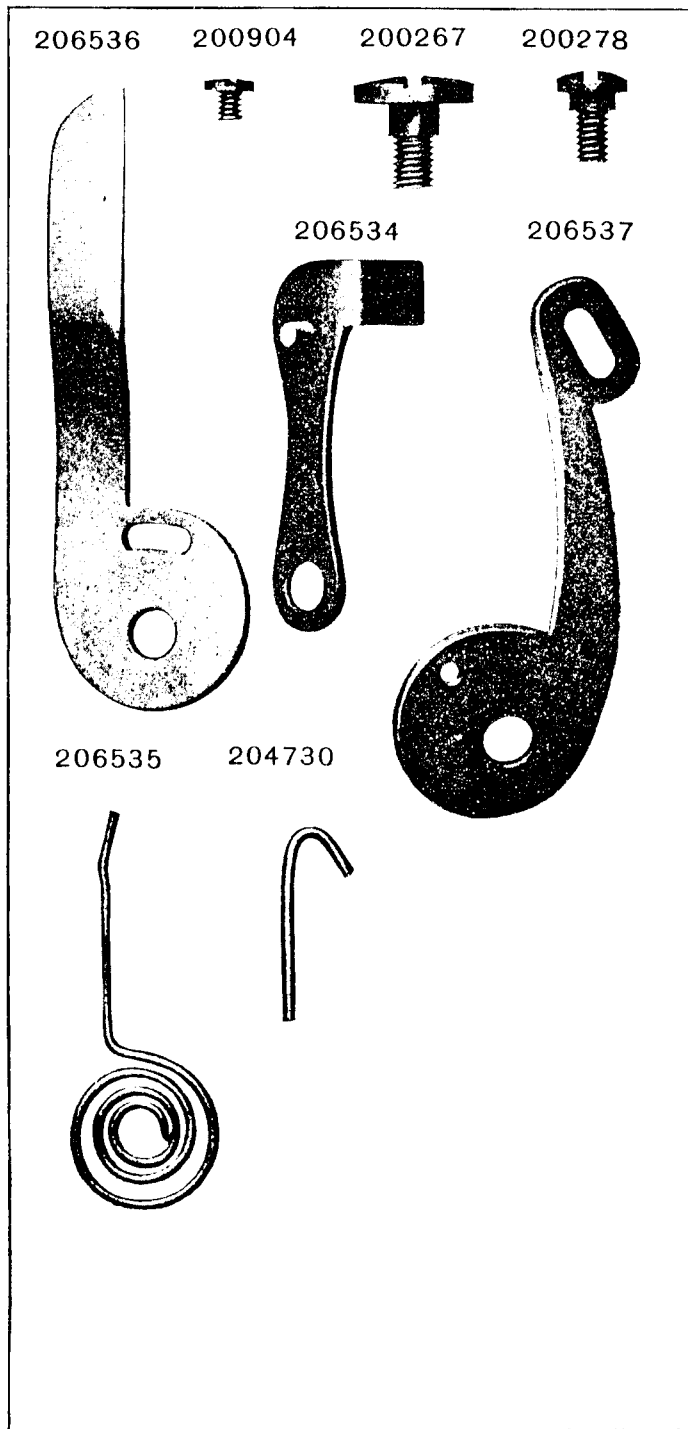
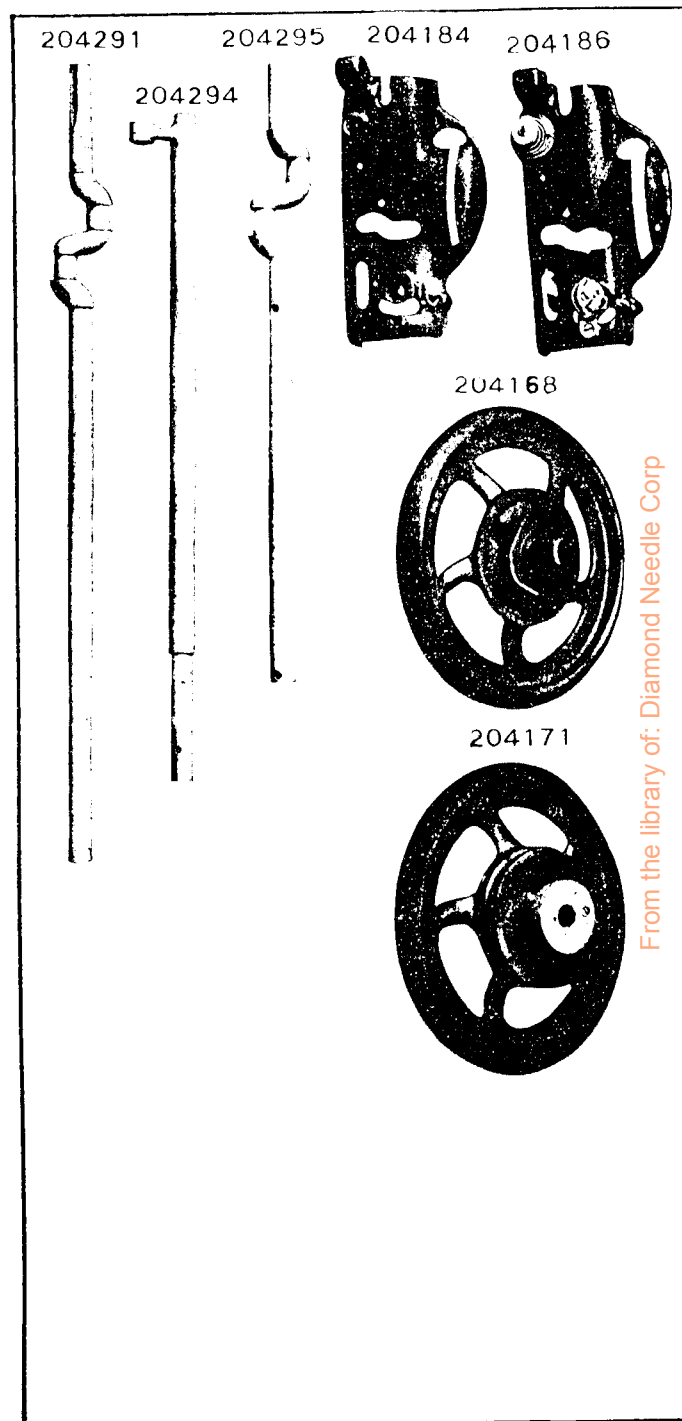


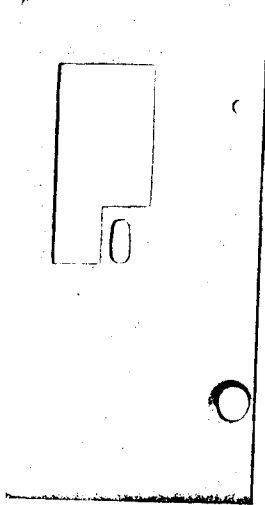
PLATE 10570—ONE-FOURTH SIZE



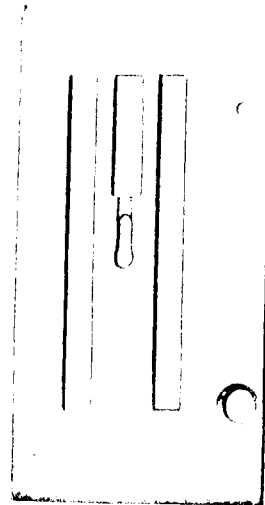
From the library of: Diamond Needle Corp

PLATE 10621—FULL SIZE

207328



207329



207627



207626

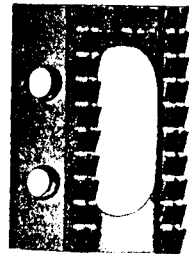


PLATE 11992 -FULL SIZE

597



200068



200075



200138



200366



200155



200347



200387



200400



200463



200551



200554



200664



200922



200935



200991



201534



201506



201523



201527



201528



201535



213639



225648



From the library of: www.ammobuy.com

PLATE 12153—ONE-HALF SIZE

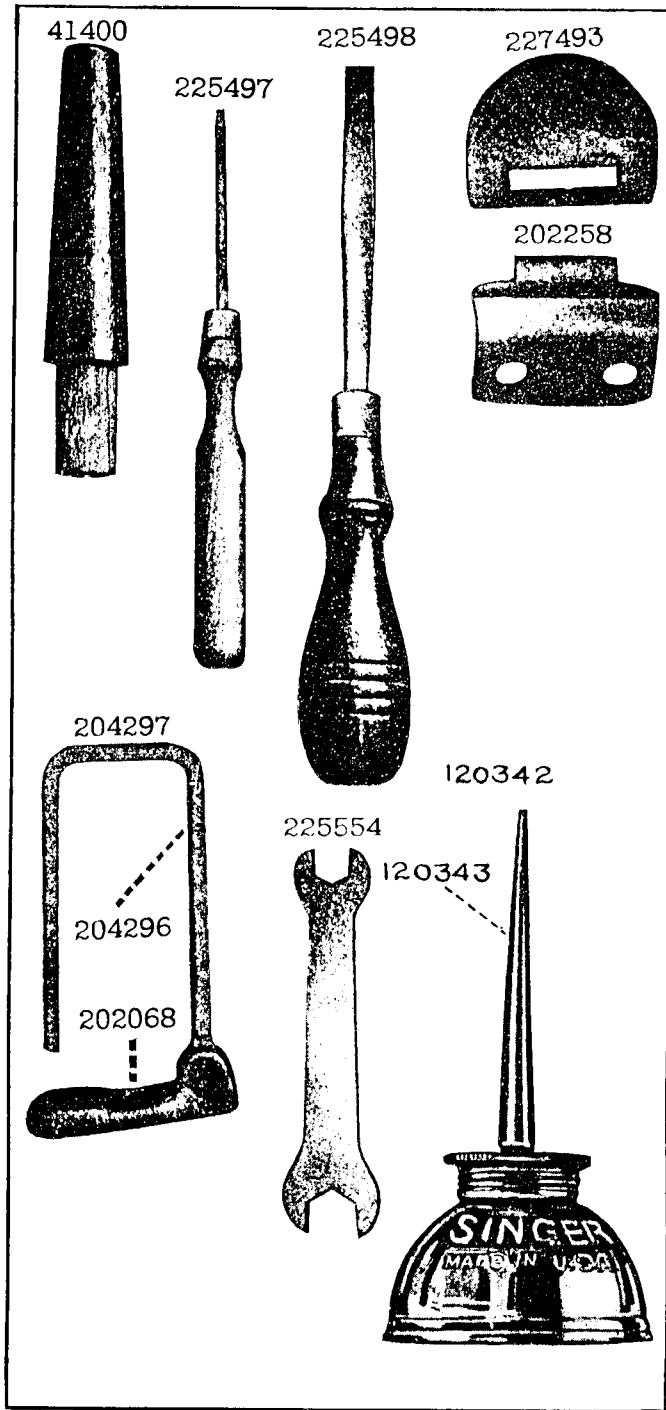


PLATE 12309 —FULL SIZE

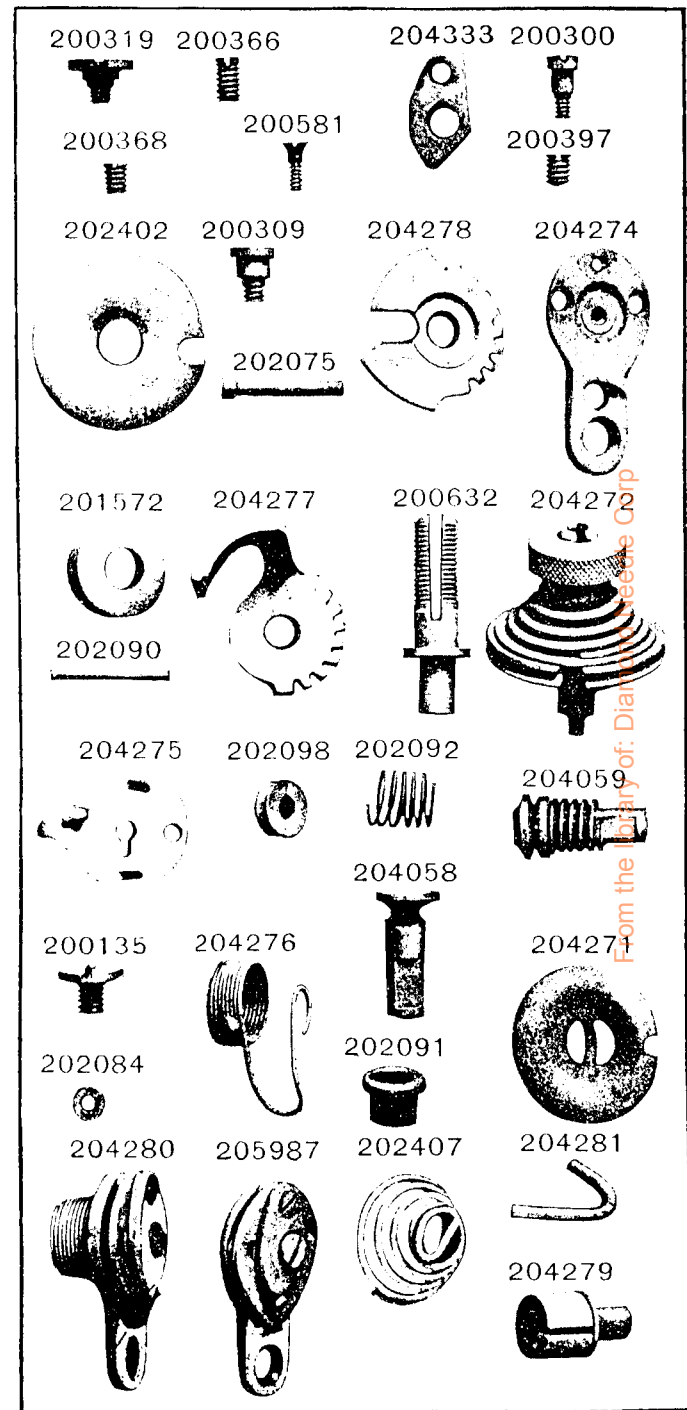


PLATE 12319 - FULL SIZE

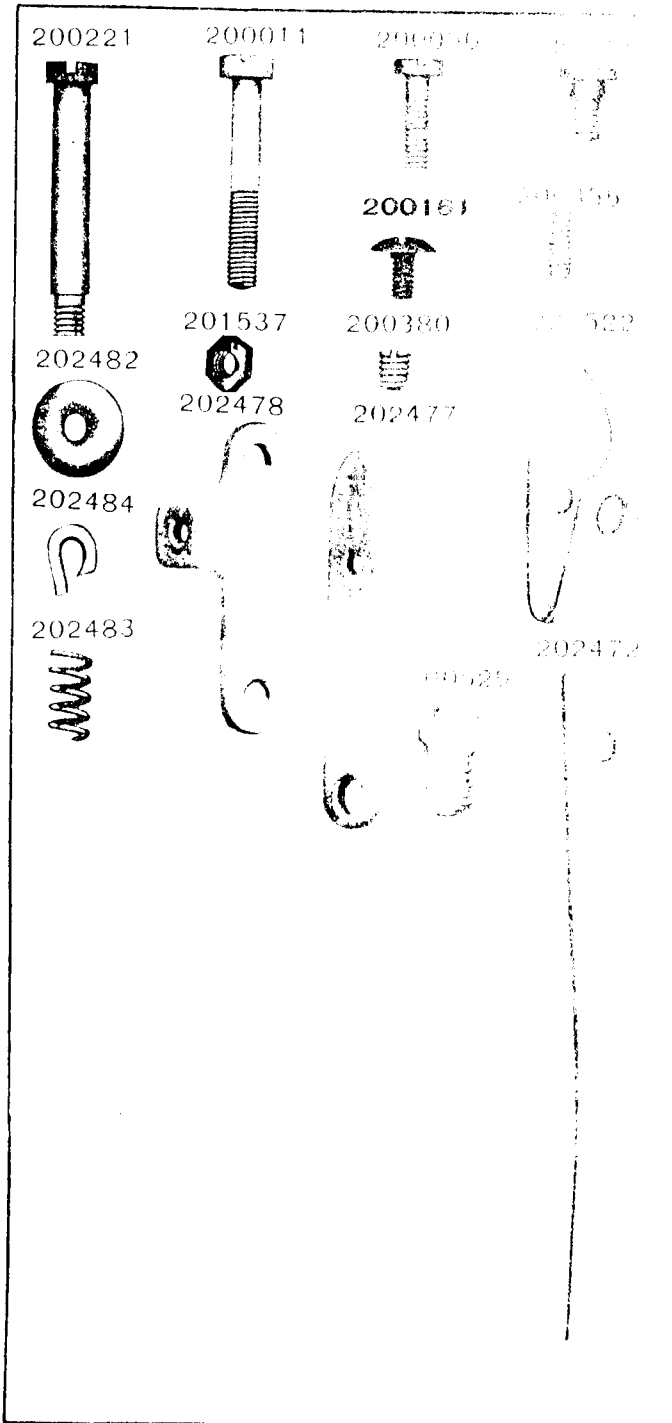


PLATE 12320 - ONE-HALF SIZE

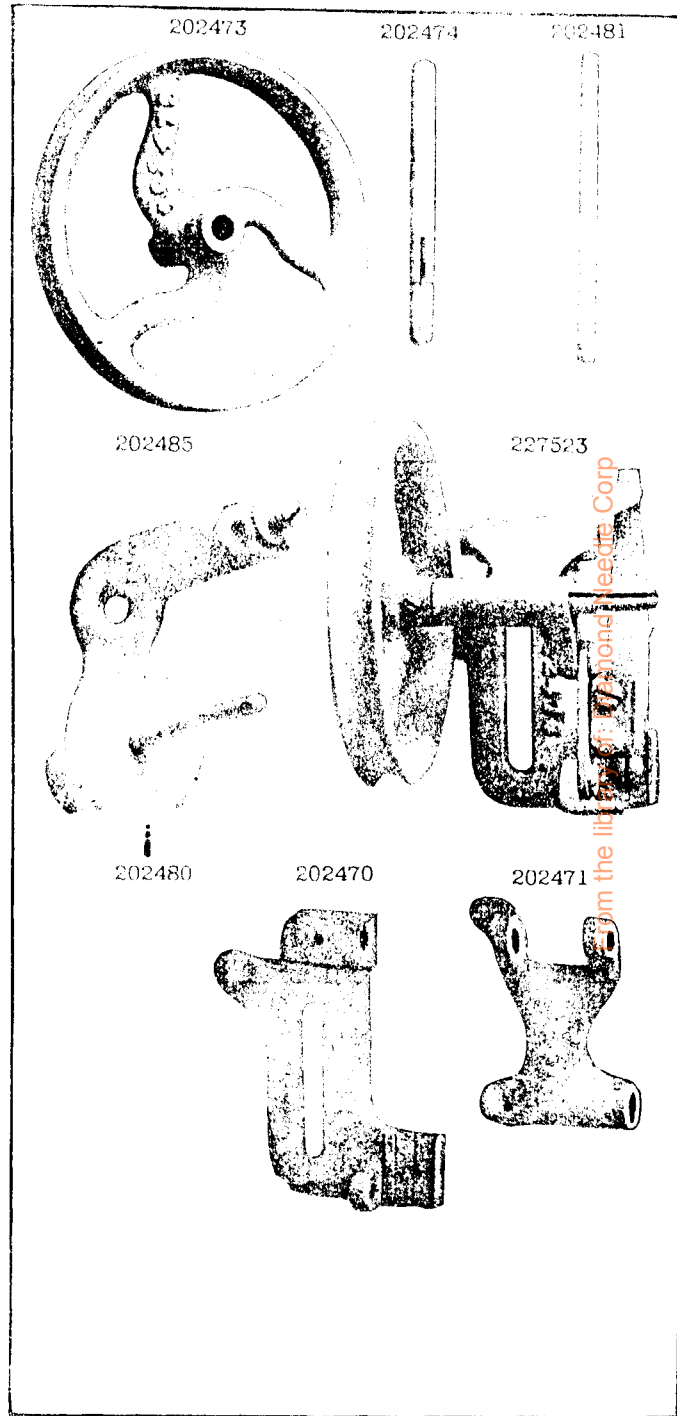


PLATE 12703-FULL SIZE

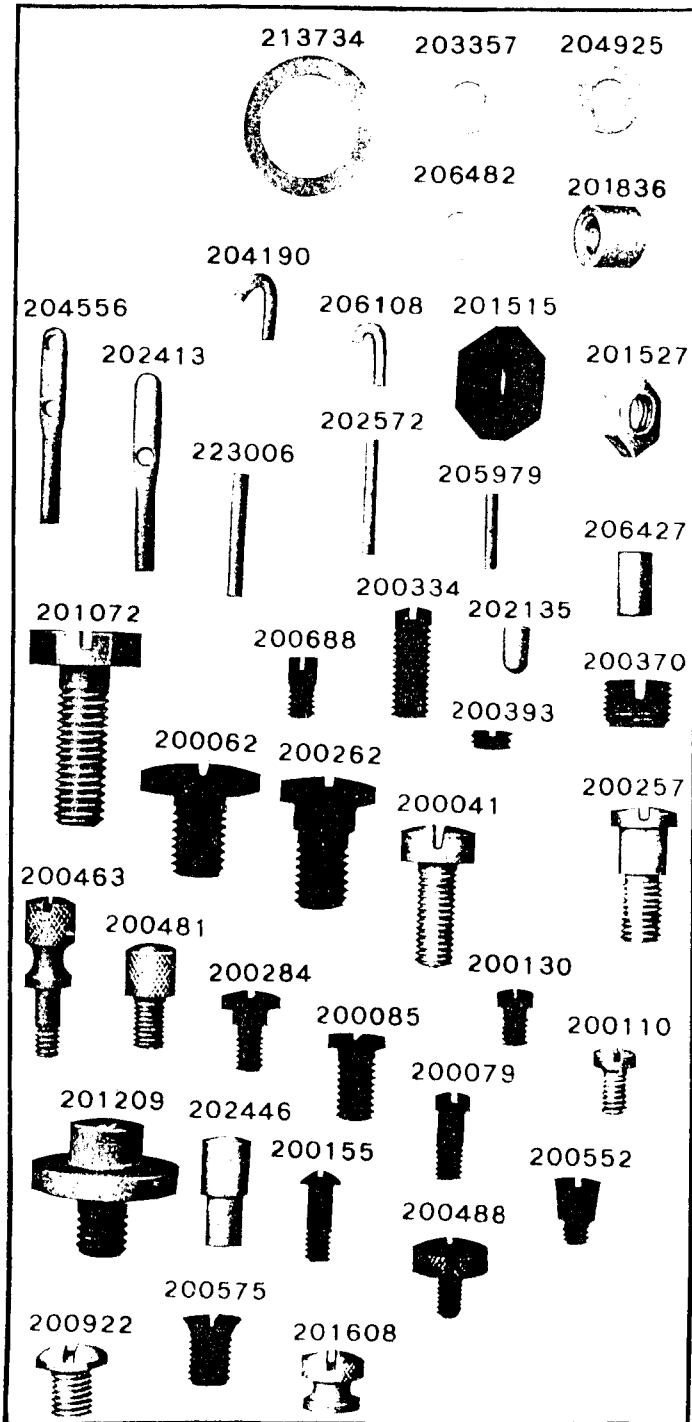
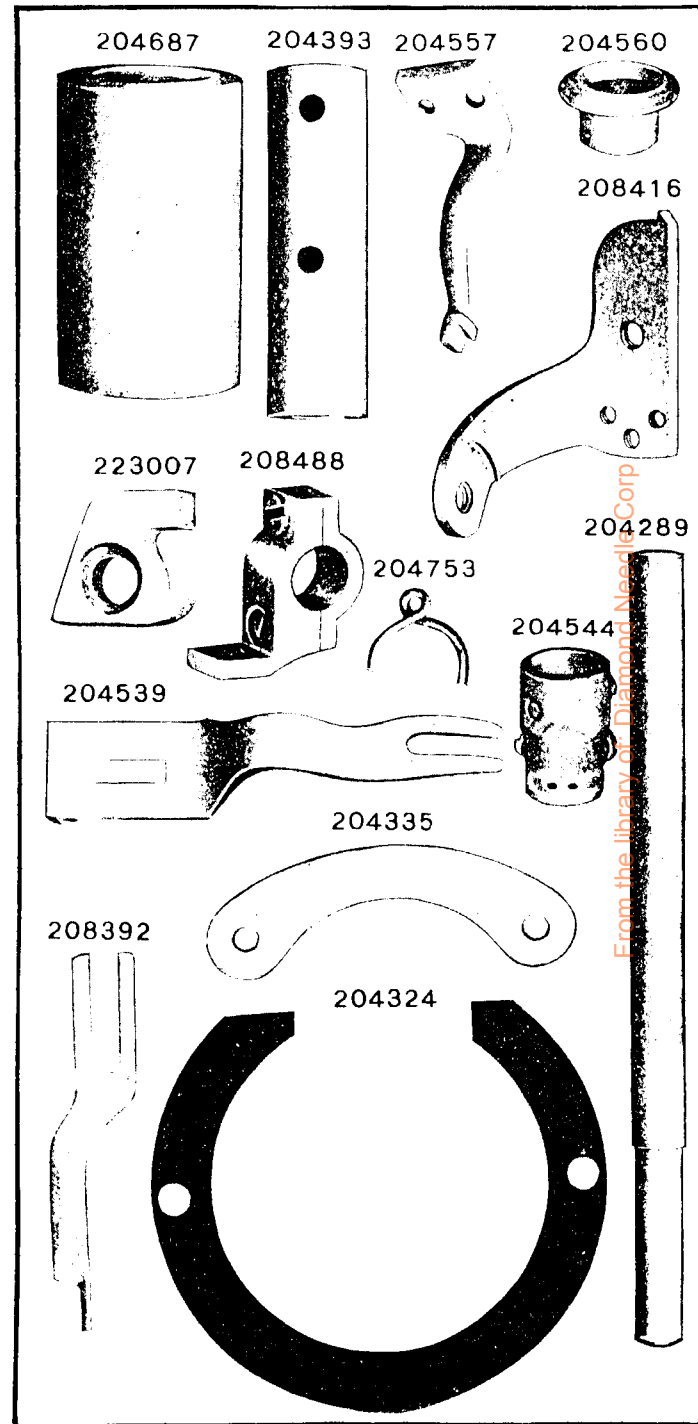


PLATE 12704-FULL SIZE



From the library of Diamond Needle Corp

PLATE 12705-FULL SIZE

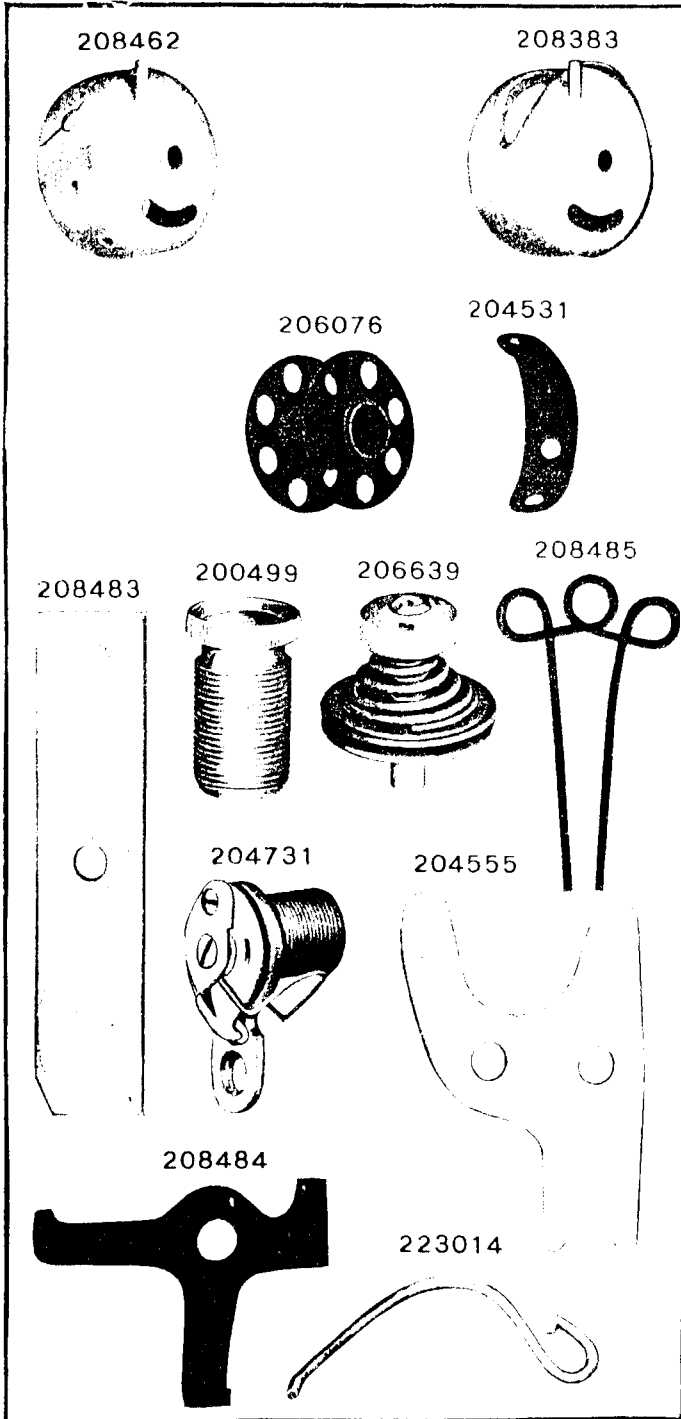


PLATE 12708-FULL SIZE

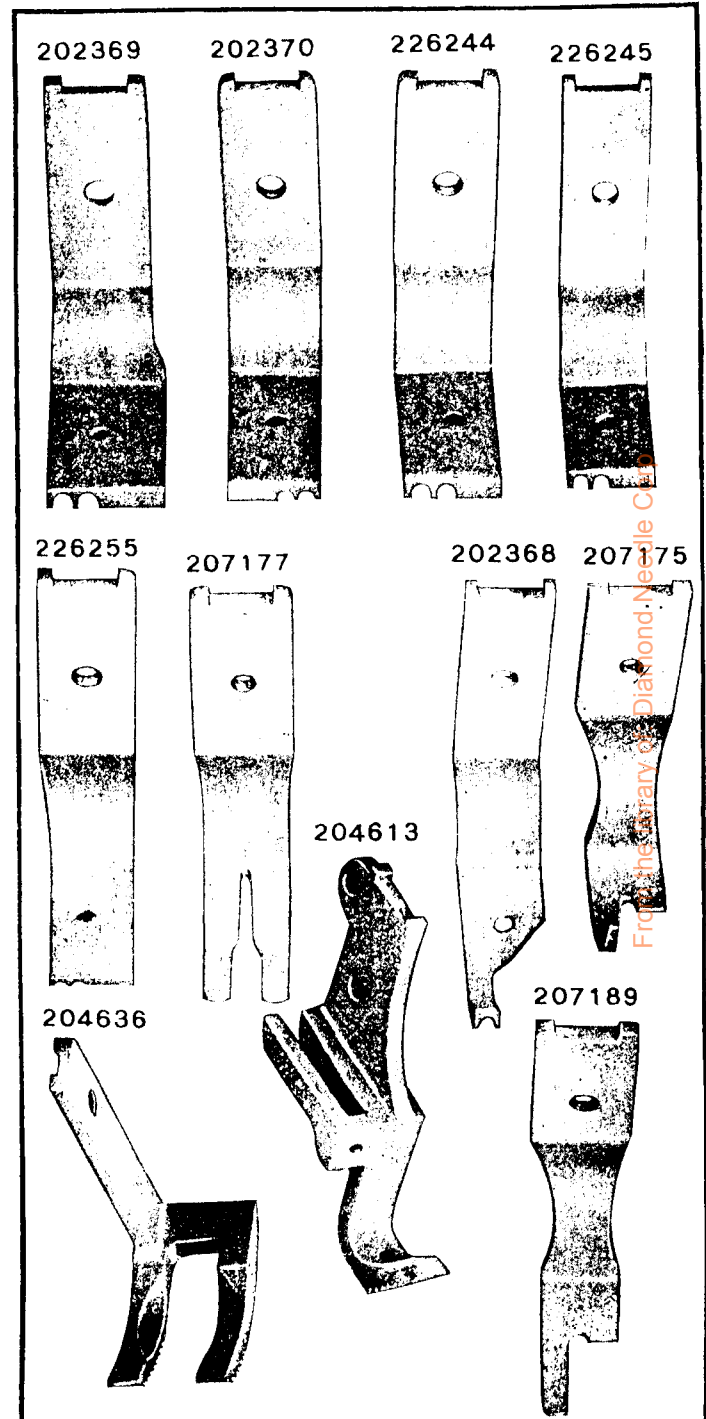
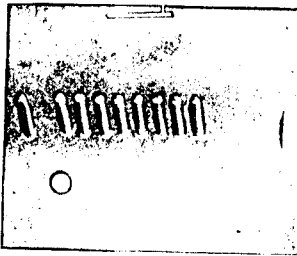
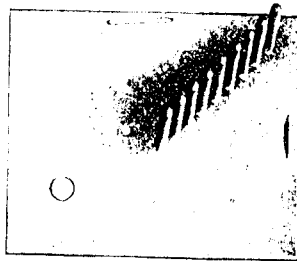


PLATE 12712—ONE-HALF SIZE

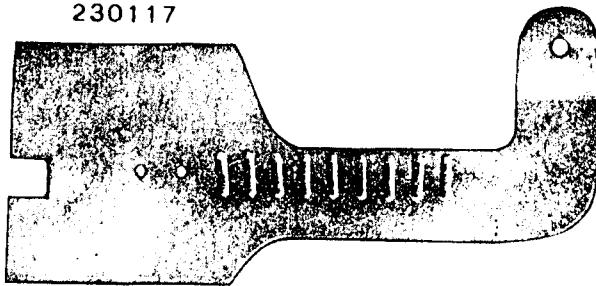
230226



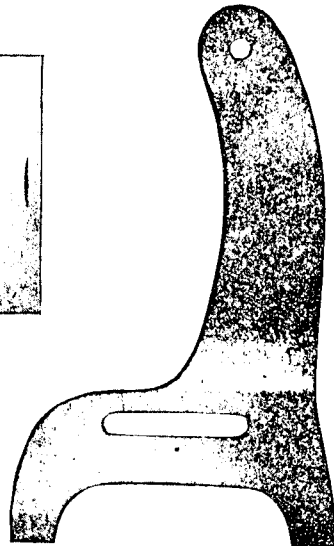
230306



230117



226074



206105

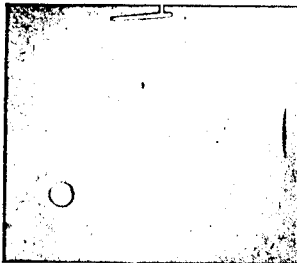
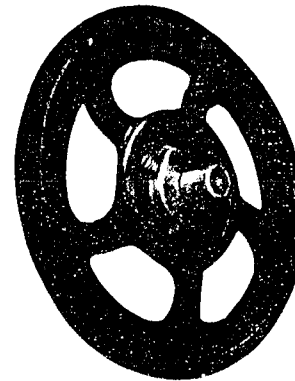


PLATE 12716—ONE-FOURTH SIZE

204707



204174



204708



204173



204283



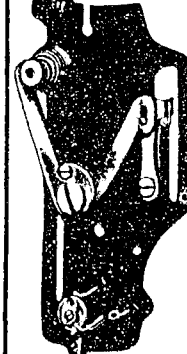
207834



223002



206538



206533



208482



PLATE 12726--FULL SIZE

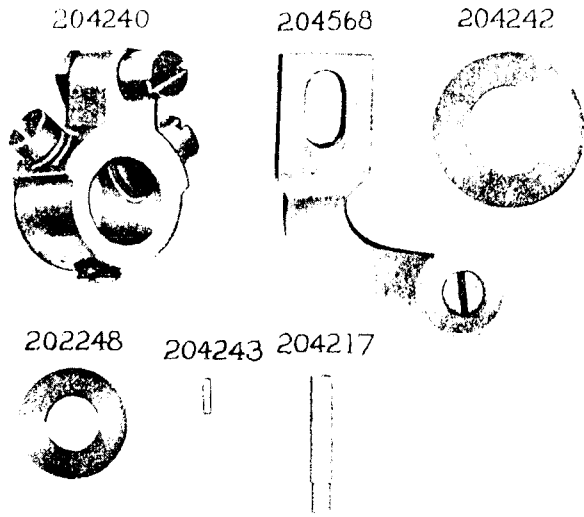
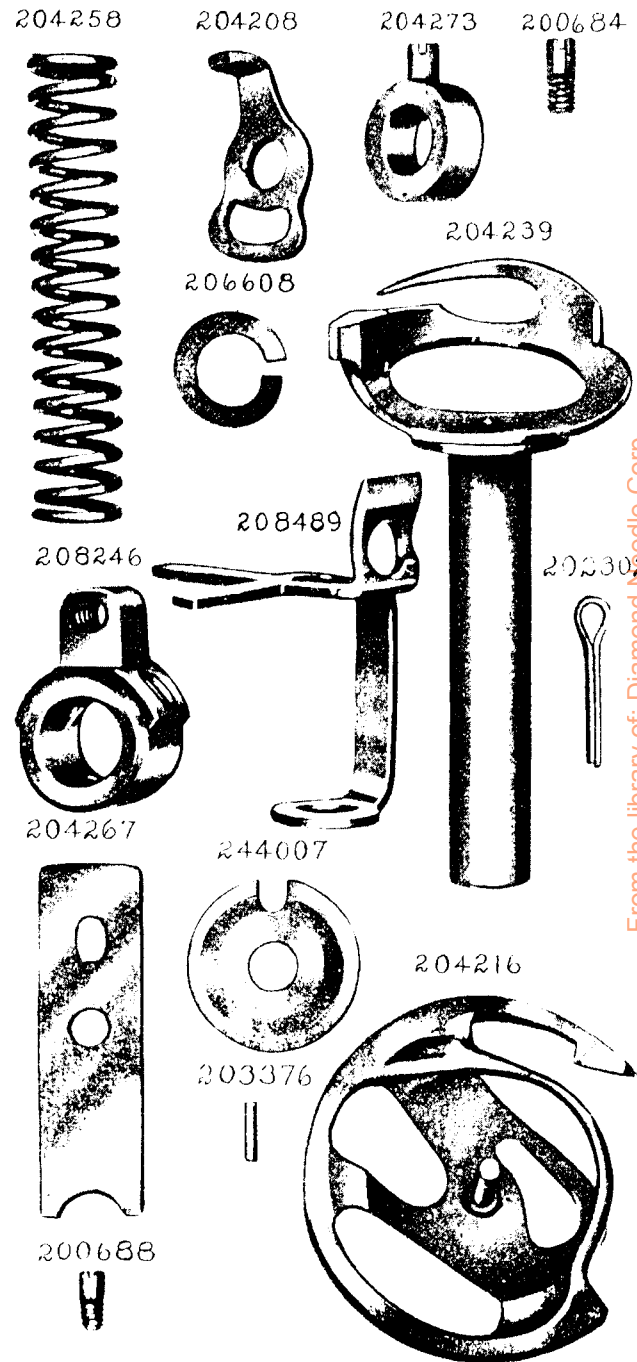


PLATE 12771--FULL SIZE



From the library of: Diamond Needle Corp

PLATE 12772—FULL SIZE

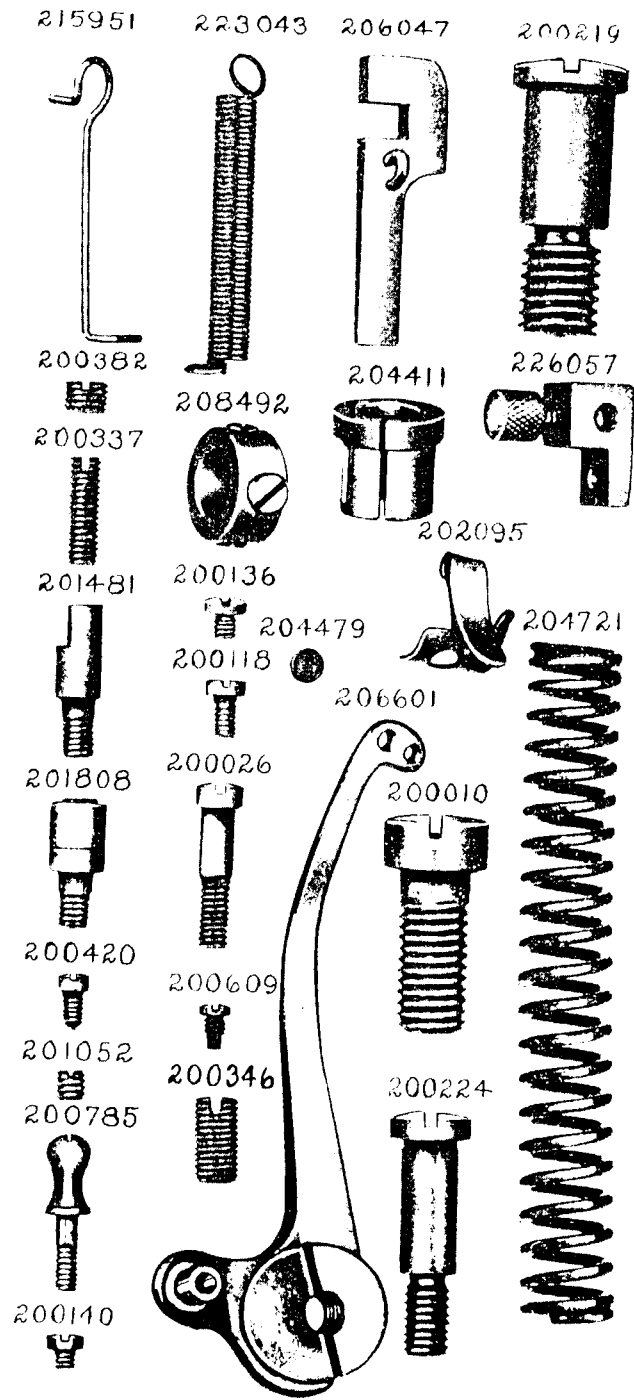


PLATE 12773—ONE-HALF SIZE

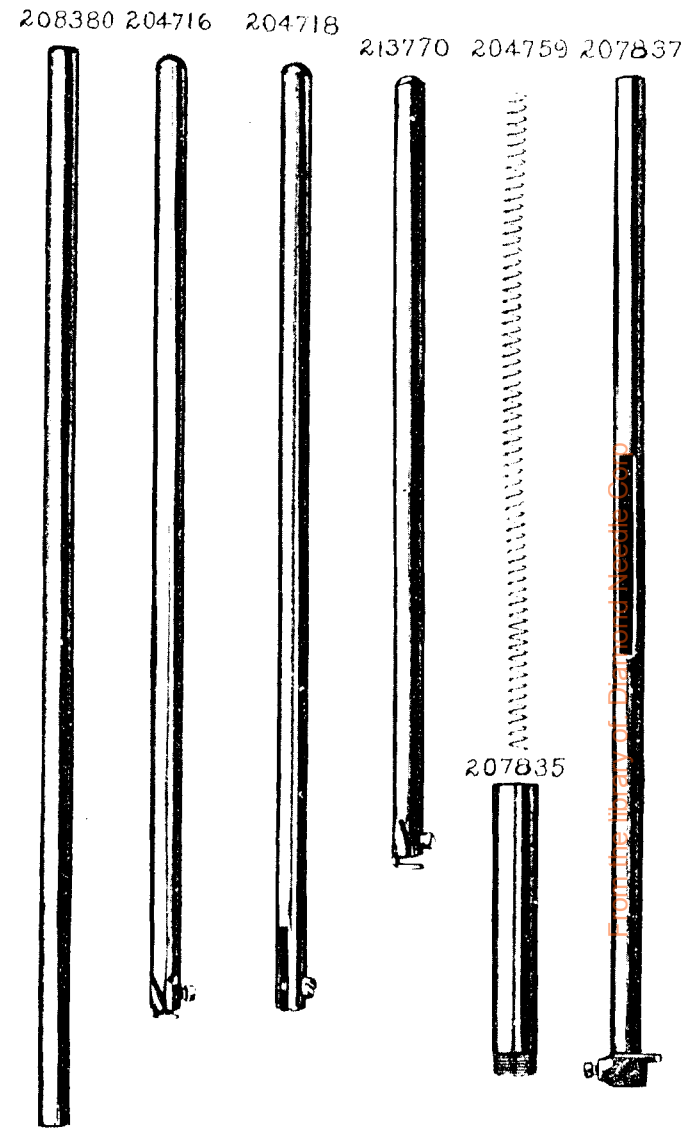
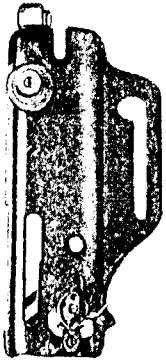
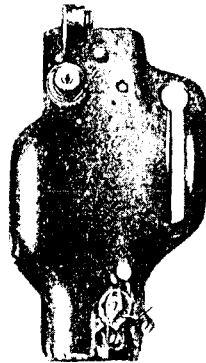


PLATE 12774—ONE-FOURTH SIZE

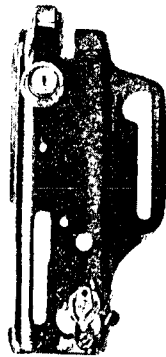
204712



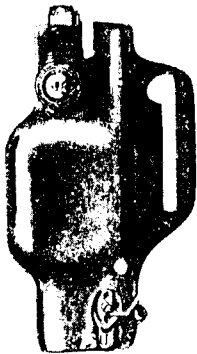
207828



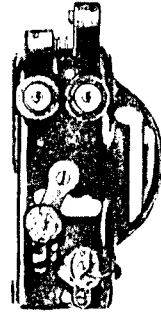
204284



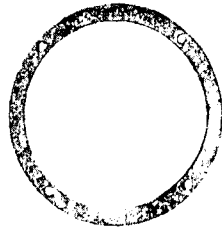
204785



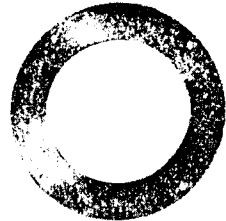
204534



235396



235328



207833

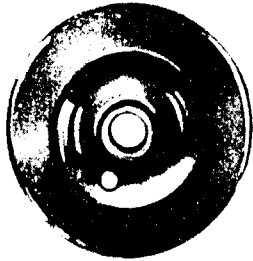
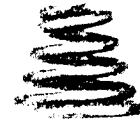
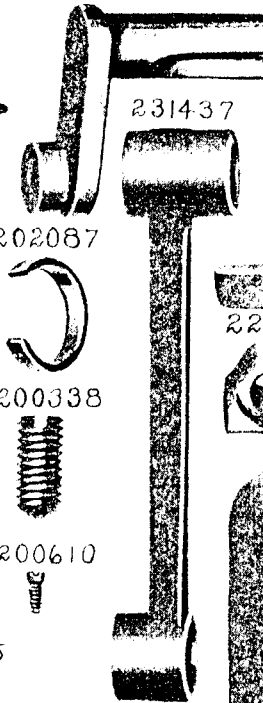


PLATE 12776—FULL SIZE

225708



204788



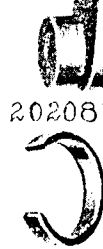
200249



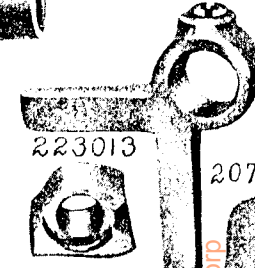
201375



231437



222287



202087

223013

207826

200122



200338



200181



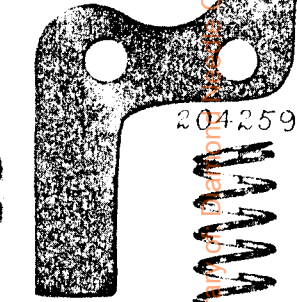
200610



200585

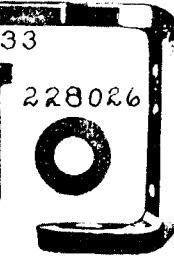


204259

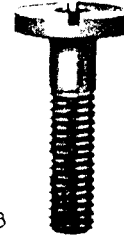


207876

200233



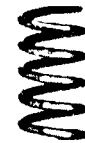
200776



228026



204744



201230 200258



201822



200567



200846



204334



201540



Copyright © 2010

PLATE 12778—ONE-FOURTH SIZE

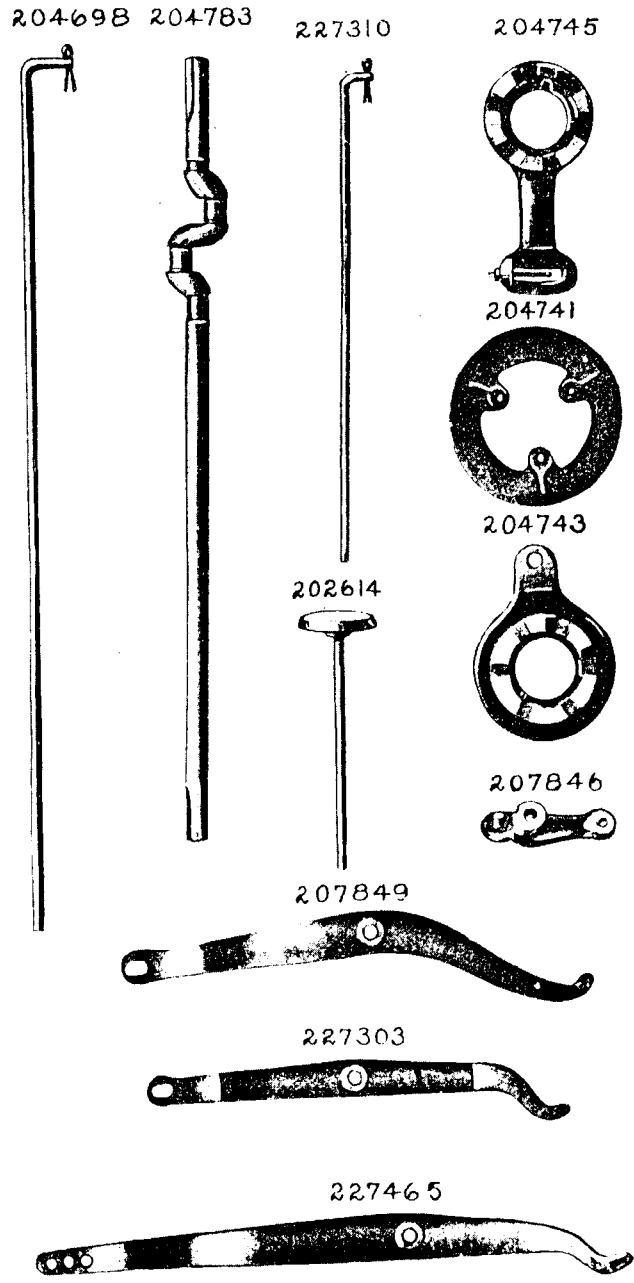
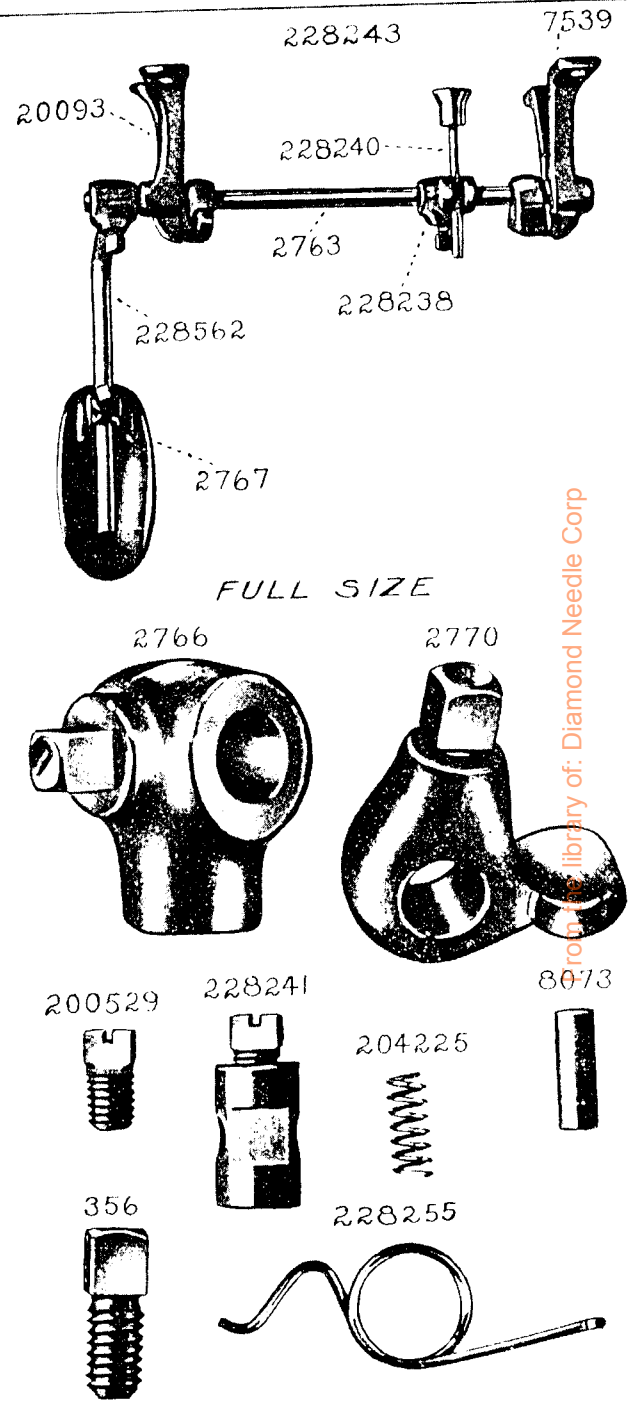


PLATE 14407—ONE-FOURTH SIZE



from the library of: Diamond Needle Corp